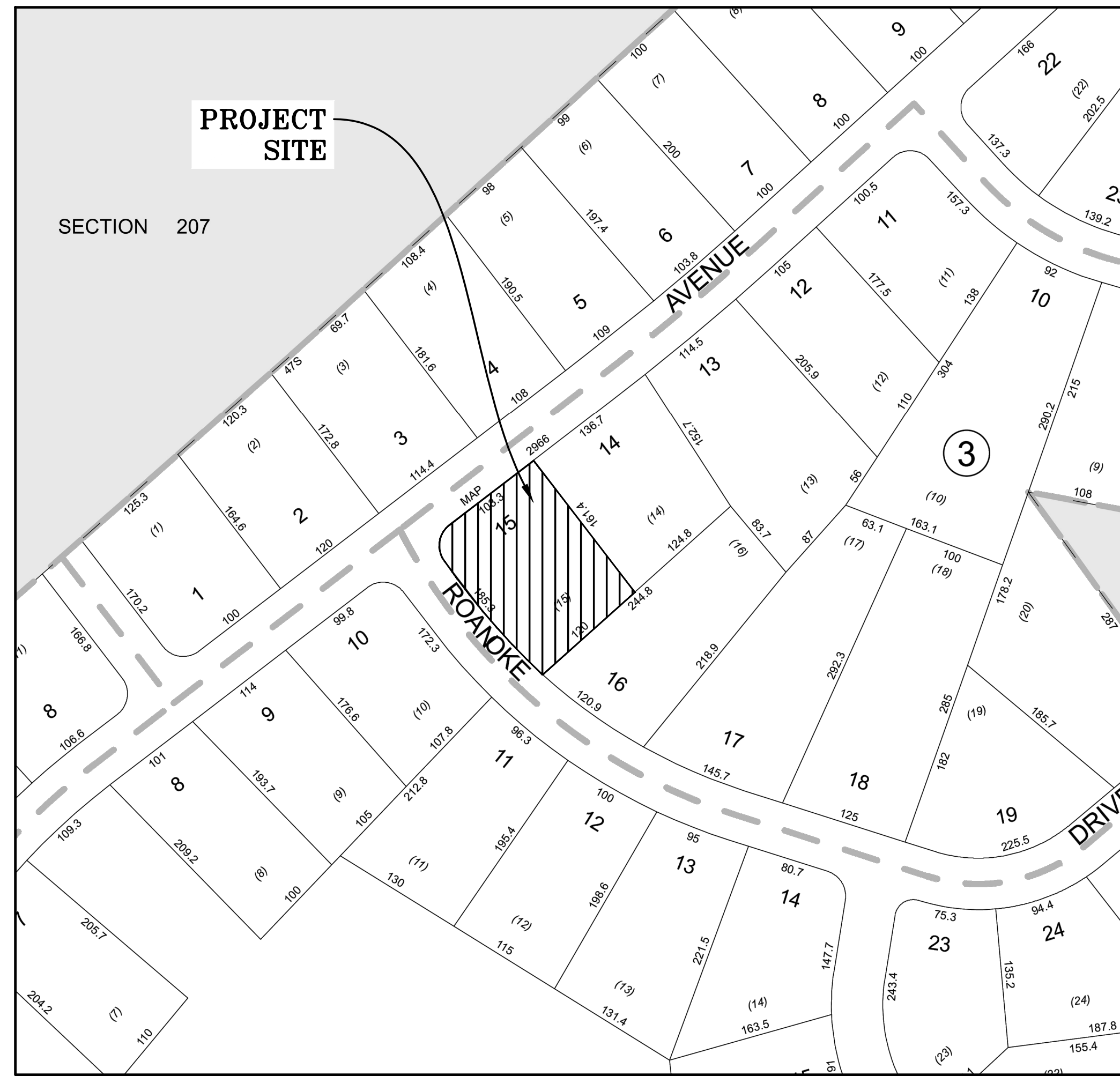


SITE PLAN PREPARED FOR

32 VIRGINIA

VILLAGE OF SOUTH BLOOMING GROVE

ORANGE COUNTY, NEW YORK



LOCATION MAP
SCALE: 1"=100'



TITLE SHEET
SCALE: 1"=10'

GENERAL NOTES:

1. RECORD OWNER & APPLICANT:
HERMAN PACHMAN
32 VIRGINIA AVE
MONROE NY 10950
2. PROPERTY ADDRESS:
32 VIRGINIA AVE,
VILLAGE OF SOUTH BLOOMING GROVE,
ORANGE COUNTY, NEW YORK
3. TAX MAP NUMBER:
SECTION 211, BLOCK 3, LOT 15
4. DEED REFERENCE:
LIBER 15143, PAGE 146
5. PARCEL AREA/SIZE:
20916.58 SF OR 0.48 AC
6. ALL PROPOSED BUILDING SHALL PROVIDE FIRE PROTECTION, WHICH AT A MINIMUM INCLUDES FIRE SPRINKLERS AND FIRE WALLS, IN ACCORDANCE WITH NYS BUILDING CODE.

DRAWING LIST

SHEET #	SHEET TITLE	ORIGINAL DATE / LAST REVISED DATE
01 OF 11	TITLE SHEET	08-14-24 / 11-05-24
02 OF 11	EXISTING CONDITIONS PLAN	08-14-24 / 11-05-24
03 OF 11	DEMOLITION PLAN	08-14-24 / 11-05-24
04 OF 11	SITE PLAN	08-14-24 / 11-05-24
05 OF 11	GRADING & UTILITY PLAN	08-26-24 / 11-05-24
06 OF 11	EROSION & SEDIMENT CONTROL PLAN	08-26-24 / 11-05-24
07 OF 11	EROSION & SEDIMENT CONTROL DETAILS	08-26-24 / 11-05-24
08 OF 11	SANITARY DETAILS	08-26-24 / 11-05-24
09 OF 11	WATER SUPPLY DETAILS	08-26-24 / 11-05-24
10 OF 11	CONSTRUCTION DETAILS	08-26-24 / 11-05-24
11 OF 11	CONSTRUCTION SPECIFICATIONS	08-26-24 / 11-05-24

REV.	BY	DATE	DESCRIPTION
2	MM	11-05-24	REVISED BUILDING FOOTPRINT
1	MM	08-26-24	PREPARATION OF PRELIMINARY PLANS

THIS SHEET IS NOT VALID WITHOUT ALL OF THE SHEETS THAT COMPRISE THE SET

ARDEN CONSULTING ENGINEERS, PLLC
P.O. BOX 340 MONROE, N.Y.
TEL: (845) 782-8114
WWW.ARDENCONSULTING.NET

SITE PLAN PREPARED FOR
32 VIRGINIA
VILLAGE OF SOUTH BLOOMING GROVE
ORANGE COUNTY, NEW YORK

TITLE SHEET

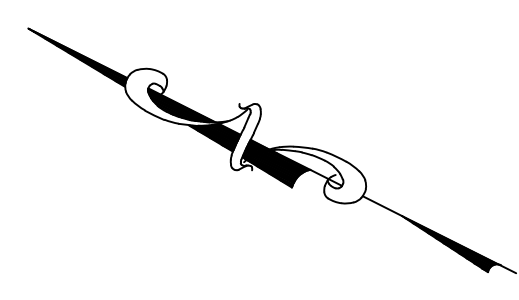
JOB#: 24-032
SCALE: AS NOTED
DATE: 08-08-24
DRAWN: MM
CHECKED: MM
SHEET NO. 01 of 11



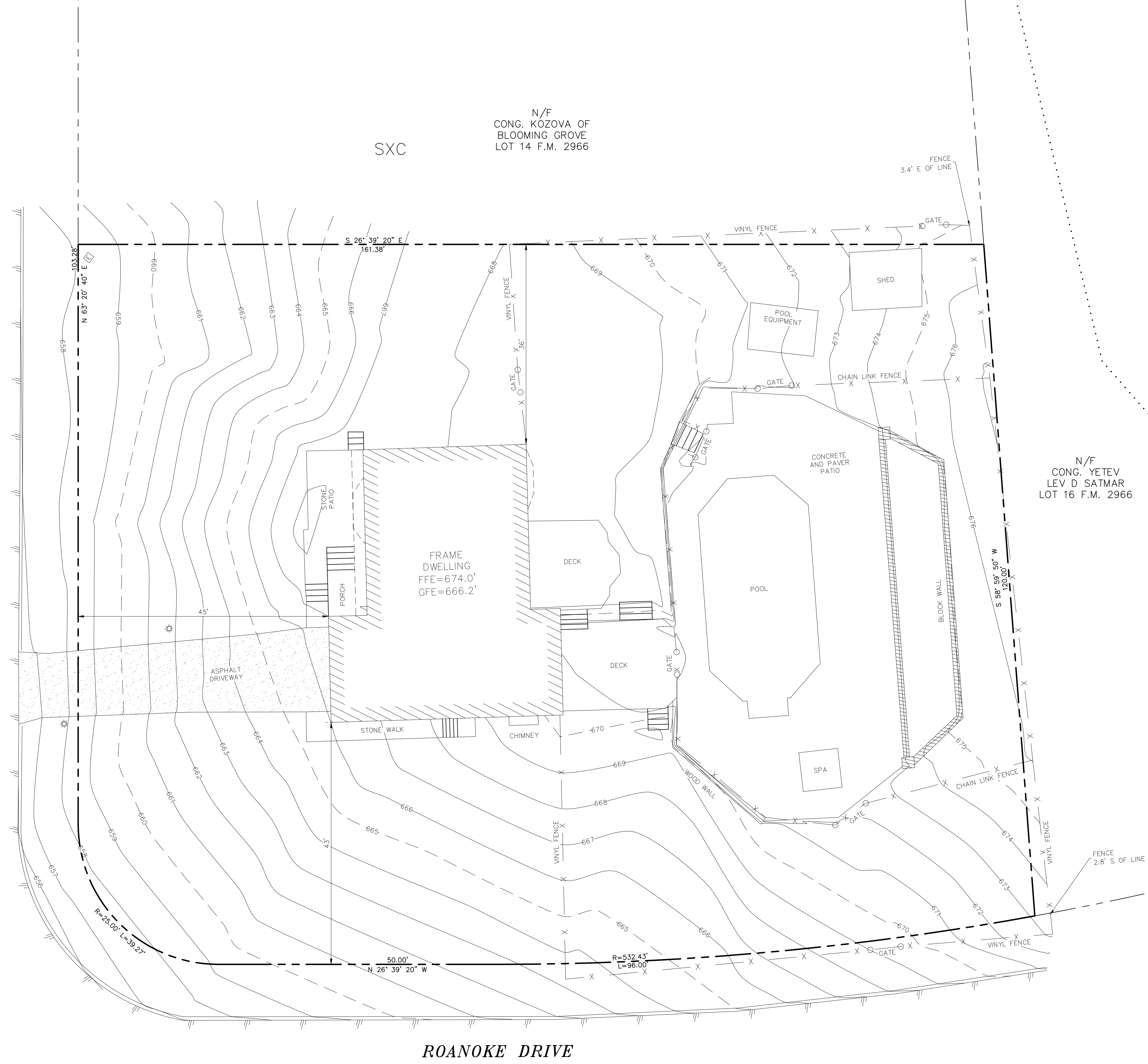
COPYRIGHT 2024, ARDEN CONSULTING ENGINEERS, P.L.L.C. - ALL RIGHTS RESERVED.



WARNING- IT IS A VIOLATION OF NEW YORK EDUCATIONAL LAW, SECTION 7209.2, FOR ANY PERSON, UNLESS ACTING UNDER THE DIRECTION OF A LICENSED PROFESSIONAL ENGINEER OR LAND SURVEYOR, TO ALTER THIS DOCUMENT IN ANY WAY. IF ALTERED, THE ALTERING PERSON SHALL COMPLY WITH THE REQUIREMENTS OF NEW YORK EDUCATIONAL LAW, SECTION 7209.2
ONLY MAPS WITH EMBOSSED SEALS ARE GENUINE COPIES OF THE ORIGINAL WORK AND OPINION. MAPS NOT BEARING EMBOSSED SEALS SHOULD NOT BE RELIED UPON SINCE OTHER THAN EMBOSSED-SEAL COPIES MAY CONTAIN UNAUTHORIZED AND UNDETECTABLE MODIFICATIONS, DELETIONS, ADDITIONS AND CHANGES.



VIRGINIA AVENUE



ROANOKE DRIVE

N/F
CONG. KOZOVA OF
BLOOMING GROVE
LOT 14 F.M. 2966

N/F
CONG. YETEV
LEV D SATMAR
LOT 16 F.M. 2966

- LEGEND:**
- 670 --- EXISTING MAJOR CONTOUR
 - EXISTING MINOR CONTOUR
 - EXISTING EDGE OF PAVEMENT
 - EXISTING PROPERTY LINE
 - EXISTING ADJACENT PROPERTY LINE
 - X --- EXISTING FENCE
 - ☐ EXISTING ELECTRIC BOX
 - ☼ EXISTING LIGHTING POLE
 - EXISTING SOIL BOUNDARY & LABEL

MdB

MdC

REV.	BY	DATE	DESCRIPTION
2	MM	11-05-24	REVISED BUILDING FOOTPRINT
1	MM	08-26-24	PREPARATION OF PRELIMINARY PLANS

THIS SHEET IS NOT VALID WITHOUT ALL OF THE SHEETS THAT COMPRISE THE SET

ARDEN CONSULTING ENGINEERS, PLLC
P.O. BOX 340 MONROE, N.Y.
TEL: (845) 782-8114
WWW.ARDENCONSULTING.NET

SITE PLAN PREPARED FOR
32 VIRGINIA
VILLAGE OF SOUTH BLOOMING GROVE
ORANGE COUNTY, NEW YORK

EXISTING CONDITIONS PLAN

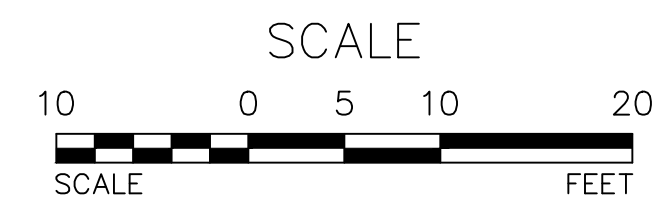
JOB#: 24-032
SCALE: AS NOTED
DATE: 08-08-24
DRAWN: MM
CHECKED: MM
SHEET NO. 02 of 11

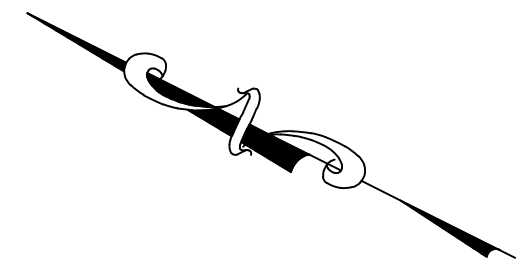
WARNING- IT IS A VIOLATION OF NEW YORK EDUCATIONAL LAW, SECTION 7209.2, FOR ANY PERSON, UNLESS ACTING UNDER THE DIRECTION OF A LICENSED PROFESSIONAL ENGINEER OR LAND SURVEYOR, TO ALTER THIS DOCUMENT IN ANY WAY. IF ALTERED, THE ALTERING PERSON SHALL COMPLY WITH THE REQUIREMENTS OF NEW YORK EDUCATIONAL LAW, SECTION 7209.2

ONLY MAPS WITH EMBOSSED SEALS ARE GENUINE COPIES OF THE ORIGINAL WORK AND OPINION. MAPS NOT BEARING EMBOSSED SEALS SHOULD NOT BE RELIED UPON SINCE OTHER THAN EMBOSSED-SEAL COPIES MAY CONTAIN UNAUTHORIZED AND UNDETECTABLE MODIFICATIONS, DELETIONS, ADDITIONS AND CHANGES.



EXISTING CONDITIONS PLAN
SCALE: 1"=10'

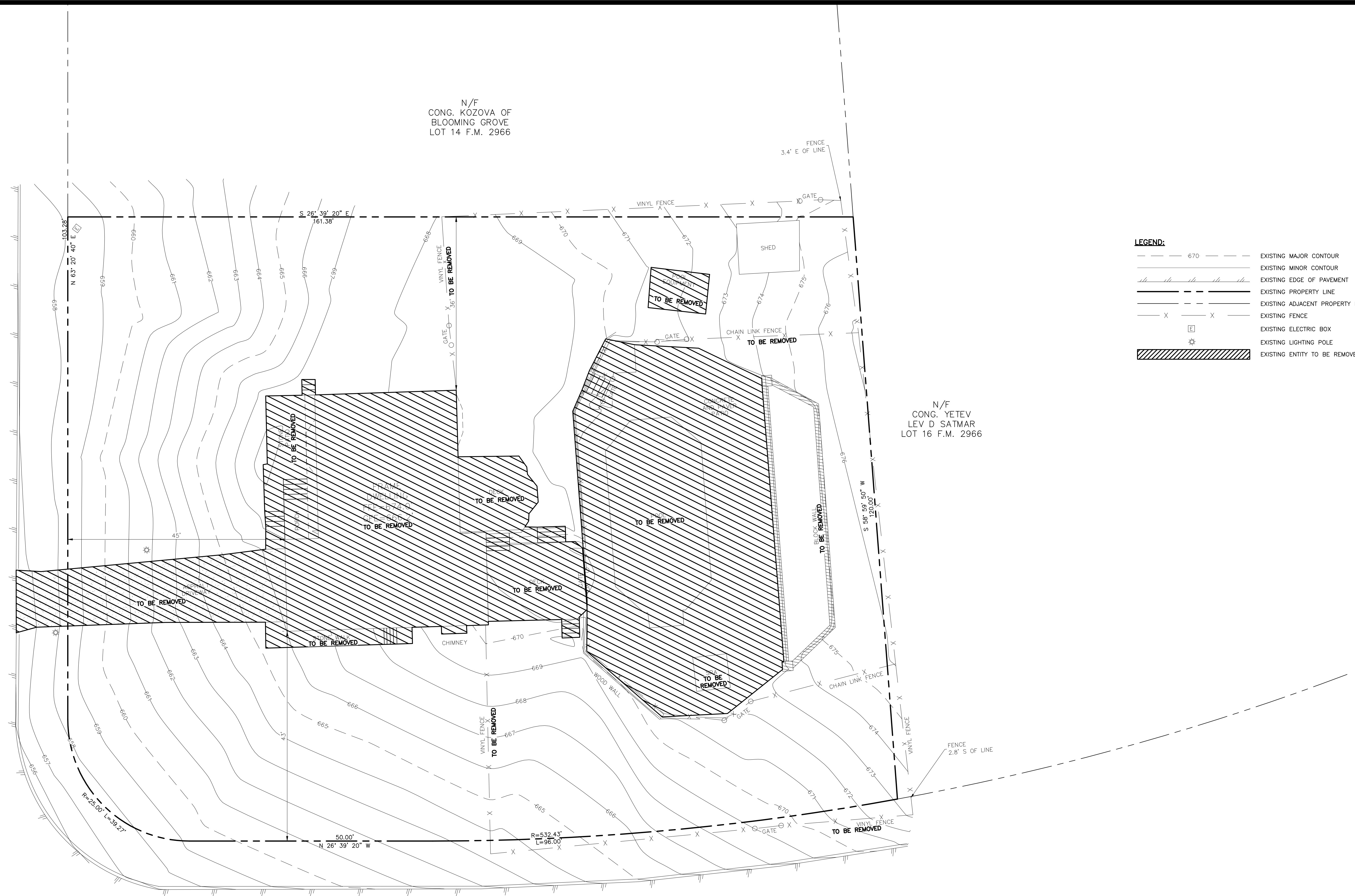




VIRGINIA AVENUE

N/F
CONG. KOZOVA OF
BLOOMING GROVE
LOT 14 F.M. 2966

N/F
CONG. YETEV
LEV D SATMAR
LOT 16 F.M. 2966

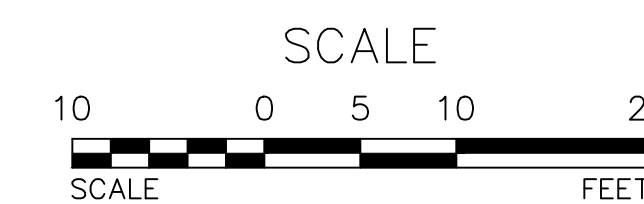


LEGEND:

	670	EXISTING MAJOR CONTOUR
		EXISTING MINOR CONTOUR
		EXISTING EDGE OF PAVEMENT
		EXISTING PROPERTY LINE
		EXISTING ADJACENT PROPERTY LINE
		EXISTING FENCE
		EXISTING ELECTRIC BOX
		EXISTING LIGHTING POLE
		EXISTING ENTITY TO BE REMOVED

ROANOKE DRIVE

DEMOLITION PLAN
SCALE: 1"=10'



REV.	BY	DATE	DESCRIPTION
2	MM	11-05-24	REVISED BUILDING FOOTPRINT
1	MM	08-26-24	PREPARATION OF PRELIMINARY PLANS

THIS SHEET IS NOT VALID WITHOUT ALL OF THE SHEETS THAT COMPRISE THE SET

ARDEN CONSULTING ENGINEERS, PLLC
P.O. BOX 340 MONROE, N.Y.
TEL: (845) 782-8114
WWW.ARDENCONSULTING.NET

SITE PLAN PREPARED FOR
32 VIRGINIA
VILLAGE OF SOUTH BLOOMING GROVE
ORANGE COUNTY, NEW YORK

DEMOLITION PLAN

JOB#: 24-032
SCALE: AS NOTED
DATE: 08-08-24
DRAWN: MM
CHECKED: MM
SHEET NO. 03 of 11

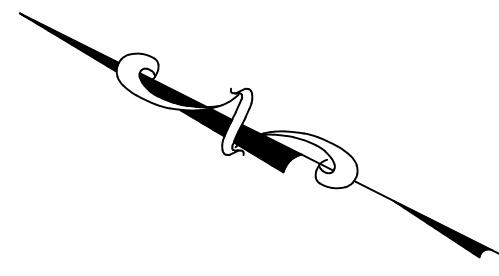
MICHAEL A. MORGANTE, P.E.
LIC. NO. 78577

COPYRIGHT 2024, ARDEN CONSULTING ENGINEERS, P.L.L.C. - ALL RIGHTS RESERVED

WARNING- IT IS A VIOLATION OF NEW YORK EDUCATIONAL LAW, SECTION 7209.2, FOR ANY PERSON, UNLESS ACTING UNDER THE DIRECTION OF A LICENSED PROFESSIONAL ENGINEER OR LAND SURVEYOR, TO ALTER THIS DOCUMENT IN ANY WAY. IF ALTERED, THE ALTERING PERSON SHALL COMPLY WITH THE REQUIREMENTS OF NEW YORK EDUCATIONAL LAW, SECTION 7209.2

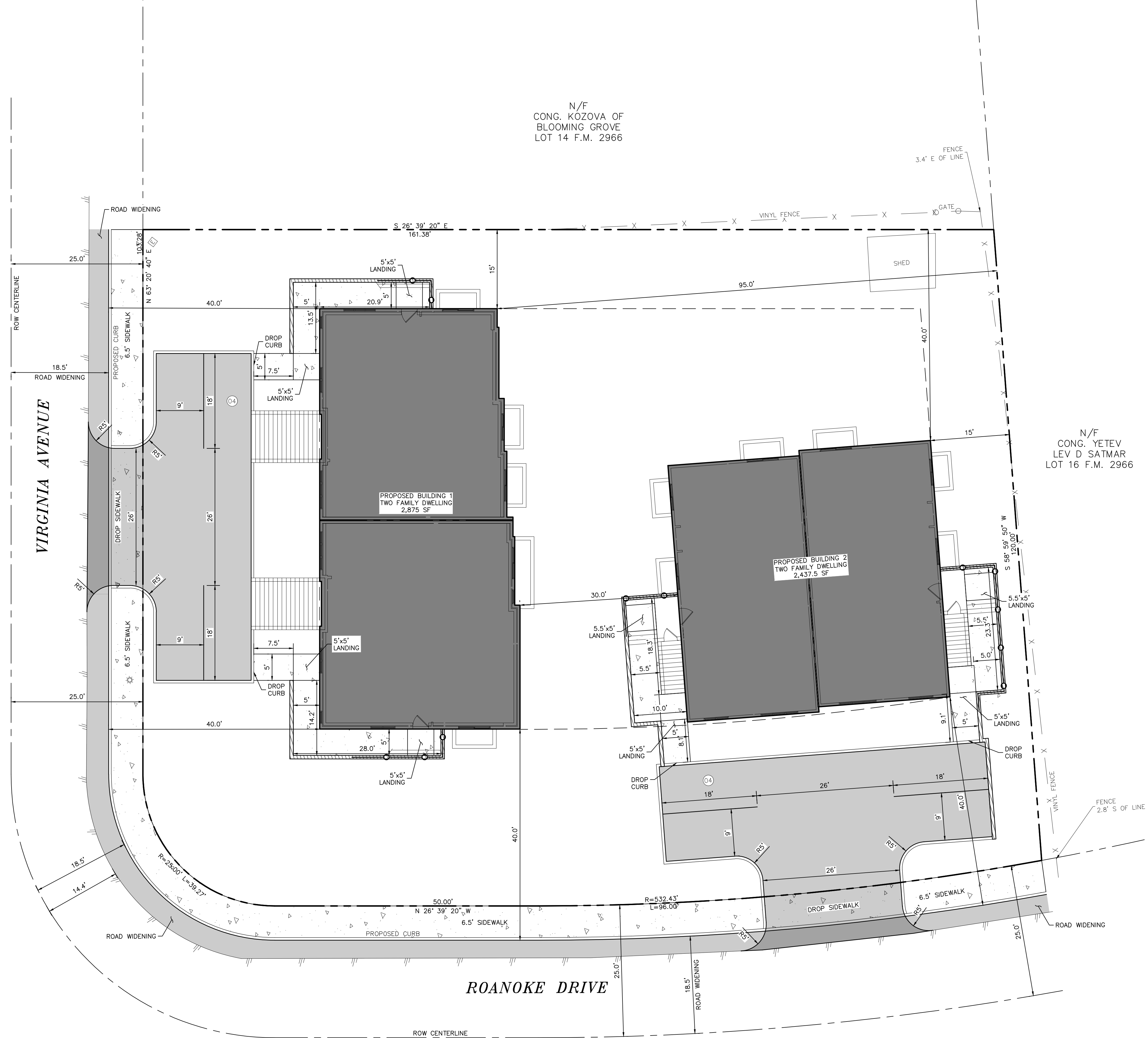
ONLY MAPS WITH EMBOSSED SEALS ARE GENUINE COPIES OF THE ORIGINAL WORK AND OPINION. MAPS NOT BEARING EMBOSSED SEALS SHOULD NOT BE RELIED UPON SINCE OTHER THAN EMBOSSED-SEAL COPIES MAY CONTAIN UNAUTHORIZED AND UNDETECTABLE MODIFICATIONS, DELETIONS, ADDITIONS AND CHANGES.





N/F
CONG. KOZOVA OF
BLOOMING GROVE
LOT 14 F.M. 2966

N/F
CONG. YETEV
LEV D SATMAR
LOT 16 F.M. 2966



LEGEND:

---	670	EXISTING MAJOR CONTOUR
---		EXISTING MINOR CONTOUR
---		EXISTING EDGE OF PAVEMENT
---		EXISTING PROPERTY LINE
---		EXISTING ADJACENT PROPERTY LINE
X	X	EXISTING FENCE
⊠		EXISTING ELECTRIC BOX
⊙		EXISTING LIGHTING POLE
---		PROPOSED SETBACK
---		PROPOSED SIDEWALK
---		PROPOSED PAVEMENT
---		PROPOSED CURB
---		PROPOSED FENCE

**BULK REQUIREMENTS -
ZONING DISTRICT: RB (RESIDENCE B)**

	REQUIRED	PROVIDED
MIN. LOT AREA (GROSS) (SF)	12,000	20,387.38
MIN. LOT AREA (NET) (SF)	10,000	20,387.38
MINIMUM FRONTAGE (FT.)	60*	125.76
MAXIMUM BUILDING COVERAGE (%)	50	26.35
MIN. FRONT YARD SETBACK (FT.)	40**	40.0
MIN. REAR YARD SETBACK (FT.)	40	40.0
MIN. SIDE YARD SETBACK (FT.)	15	15.0
MAX. HEIGHT (FT.)	35	33.26
MAX. HEIGHT (STORIES)	2	2.5

* MINIMUM FRONTAGE ON CURVED LOTS SHALL BE MEASURED AT THE FRONT SETBACK LINE.
** MINIMUM FRONT YARD SHALL BE 40 FEET AS MEASURED FROM THE EDGE OF PAVEMENT.

NOTE:

GROSS = CALCULATIONS INCLUDE AREA THROUGH THE CENTER LINE OF THE PROPERTY'S (RIGHT-OF-WAY) ROAD
FRONTAGE NET = CALCULATIONS EXCLUDE AREA THROUGH THE CENTER LINE OF THE PROPERTY'S (RIGHT-OF-WAY) ROAD

TREE CLEARING NOTE:

NO TREE REMOVAL SHALL BE REMOVED FROM APRIL 1st TO OCTOBER 31st TO MITIGATE POTENTIAL HARMFUL IMPACTS TO INDIANA BAT.

REV.	BY	DATE	DESCRIPTION
2	MM	11-05-24	REVISED BUILDING FOOTPRINT
1	MM	08-26-24	PREPARATION OF PRELIMINARY PLANS

THIS SHEET IS NOT VALID WITHOUT ALL OF THE SHEETS THAT COMPRISE THE SET

ARDEN CONSULTING ENGINEERS, PLLC
P.O. BOX 340 MONROE, N.Y.
TEL: (845) 782-8114
WWW.ARDENCONSULTING.NET

SITE PLAN PREPARED FOR
32 VIRGINIA
VILLAGE OF SOUTH BLOOMING GROVE
ORANGE COUNTY, NEW YORK

SITE PLAN

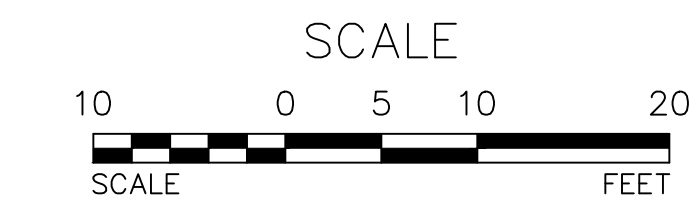
JOB#: 24-032
SCALE: AS NOTED
DATE: 08-08-24
DRAWN: MM
CHECKED: MM
MICHAEL A. MORGANTE, P.E.
LIC. NO. 78577

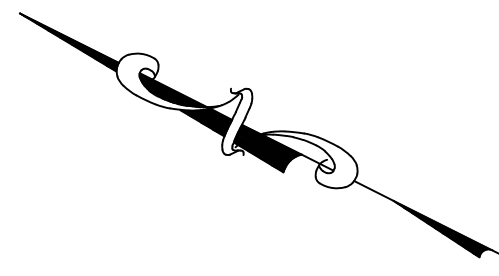
WARNING- IT IS A VIOLATION OF NEW YORK EDUCATIONAL LAW, SECTION 7209.2, FOR ANY PERSON, UNLESS ACTING UNDER THE DIRECTION OF A LICENSED PROFESSIONAL ENGINEER OR LAND SURVEYOR, TO ALTER THIS DOCUMENT IN ANY WAY. IF ALTERED, THE ALTERING PERSON SHALL COMPLY WITH THE REQUIREMENTS OF NEW YORK EDUCATIONAL LAW, SECTION 7209.2

ONLY MAPS WITH EMBOSSED SEALS ARE GENUINE COPIES OF THE ORIGINAL WORK AND OPINION. MAPS NOT BEARING EMBOSSED SEALS SHOULD NOT BE RELIED UPON SINCE OTHER THAN EMBOSSED-SEAL COPIES MAY CONTAIN UNAUTHORIZED AND UNDETECTABLE MODIFICATIONS, DELETIONS, ADDITIONS AND CHANGES.



SITE PLAN
SCALE: 1"=10'





LEGEND:

	670	EXISTING MAJOR CONTOUR
		EXISTING MINOR CONTOUR
		EXISTING EDGE OF PAVEMENT
		EXISTING PROPERTY LINE
		EXISTING ADJACENT PROPERTY LINE
		EXISTING FENCE
		EXISTING ELECTRIC BOX
		EXISTING LIGHTING POLE
		PROPOSED SETBACK
		PROPOSED SIDEWALK
		PROPOSED PAVEMENT
		PROPOSED CURB
	670	PROPOSED MAJOR CONTOURS
	672	PROPOSED MINOR CONTOURS
	6" S	PROPOSED 6" SDR 35 SEWER LATERAL
	4" W	PROPOSED 4" TYPE K WATER SERVICE
		PROPOSED FENCE

TREE CLEARING NOTE:
 NO TREE REMOVAL SHALL BE REMOVED FROM APRIL 1st TO OCTOBER 31st TO MITIGATE POTENTIAL HARMFUL IMPACTS TO INDIANA BAT.



REV.	BY	DATE	DESCRIPTION
1	MM	11-05-24	REVISED BUILDING FOOTPRINT

THIS SHEET IS NOT VALID WITHOUT ALL OF THE SHEETS THAT COMPRISE THE SET

ARDEN CONSULTING ENGINEERS, PLLC
 P.O. BOX 340 MONROE, N.Y.
 TEL: (845) 782-8114
 WWW.ARDENCONSULTING.NET

SITE PLAN PREPARED FOR
32 VIRGINIA
 VILLAGE OF SOUTH BLOOMING GROVE
 ORANGE COUNTY, NEW YORK

GRADING & UTILITY PLAN

JOB#: 24-032
 SCALE: AS NOTED
 DATE: 08-26-24
 DRAWN: MM
 CHECKED: MM
 SHEET NO. 05 of 11

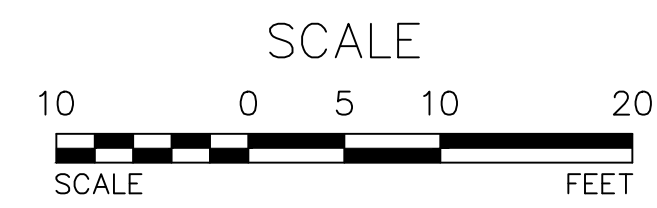
MICHAEL A. MORGANTE, P.E.
 LIC. NO. 78577

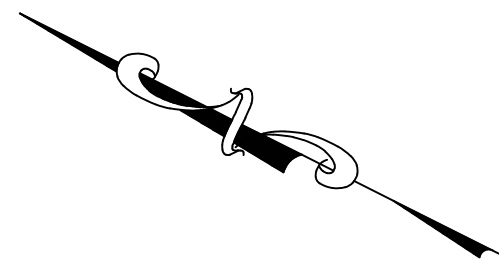
WARNING- IT IS A VIOLATION OF NEW YORK EDUCATIONAL LAW, SECTION 7209.2, FOR ANY PERSON, UNLESS ACTING UNDER THE DIRECTION OF A LICENSED PROFESSIONAL ENGINEER OR LAND SURVEYOR, TO ALTER THIS DOCUMENT IN ANY WAY. IF ALTERED, THE ALTERING PERSON SHALL COMPLY WITH THE REQUIREMENTS OF NEW YORK EDUCATIONAL LAW, SECTION 7209.2

ONLY MAPS WITH EMBOSSED SEALS ARE GENUINE COPIES OF THE ORIGINAL WORK AND OPINION. MAPS NOT BEARING EMBOSSED SEALS SHOULD NOT BE RELIED UPON SINCE OTHER THAN EMBOSSED-SEAL COPIES MAY CONTAIN UNAUTHORIZED AND UNDETECTABLE MODIFICATIONS, DELETIONS, ADDITIONS AND CHANGES.



GRADING & UTILITY PLAN
 SCALE: 1"=10'





LEGEND:

	670	EXISTING MAJOR CONTOUR
		EXISTING MINOR CONTOUR
		EXISTING EDGE OF PAVEMENT
		EXISTING PROPERTY LINE
		EXISTING ADJACENT PROPERTY LINE
		EXISTING FENCE
		EXISTING ELECTRIC BOX
		EXISTING LIGHTING POLE
		PROPOSED SETBACK
		PROPOSED SIDEWALK
		PROPOSED PAVEMENT
		PROPOSED CURB
	670	PROPOSED MAJOR CONTOURS
	672	PROPOSED MINOR CONTOURS
		PROPOSED FENCE
		PROPOSED LIMIT OF DISTURBANCE
		PROPOSED SILT FENCE
		STABILIZED CONSTRUCTION ENTRANCE

LIMITS OF DISTURBANCE AREA: 0.50 ACRES



TREE CLEARING NOTE:
 NO TREE REMOVAL SHALL BE REMOVED FROM APRIL 1st TO OCTOBER 31st TO MITIGATE POTENTIAL HARMFUL IMPACTS TO INDIANA BAT.

REV.	BY	DATE	DESCRIPTION
1	MM	11-05-24	REVISED BUILDING FOOTPRINT

THIS SHEET IS NOT VALID WITHOUT ALL OF THE SHEETS THAT COMPRISE THE SET

ARDEN CONSULTING ENGINEERS, PLLC
 P.O. BOX 340 MONROE, N.Y.
 TEL: (845) 782-8114
 WWW.ARDENCONSULTING.NET

SITE PLAN PREPARED FOR
32 VIRGINIA
 VILLAGE OF SOUTH BLOOMING GROVE
 ORANGE COUNTY, NEW YORK

EROSION & SEDIMENT CONTROL PLAN

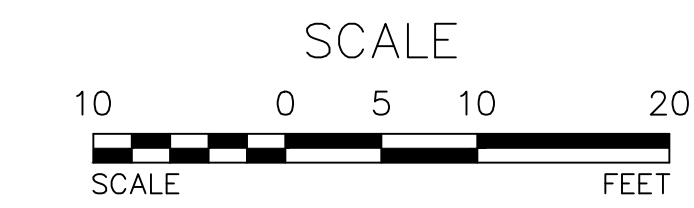
JOB#: 24-032
 SCALE: AS NOTED
 DATE: 08-26-24
 DRAWN: MM
 CHECKED: MM
 SHEET NO. 06 of 11

WARNING- IT IS A VIOLATION OF NEW YORK EDUCATIONAL LAW, SECTION 7209.2, FOR ANY PERSON, UNLESS ACTING UNDER THE DIRECTION OF A LICENSED PROFESSIONAL ENGINEER OR LAND SURVEYOR, TO ALTER THIS DOCUMENT IN ANY WAY. IF ALTERED, THE ALTERING PERSON SHALL COMPLY WITH THE REQUIREMENTS OF NEW YORK EDUCATIONAL LAW, SECTION 7209.2

ONLY MAPS WITH EMBOSSED SEALS ARE GENUINE COPIES OF THE ORIGINAL WORK AND OPINION. MAPS NOT BEARING EMBOSSED SEALS SHOULD NOT BE RELIED UPON SINCE OTHER THAN EMBOSSED-SEAL COPIES MAY CONTAIN UNAUTHORIZED AND UNDETECTABLE MODIFICATIONS, DELETIONS, ADDITIONS AND CHANGES.



EROSION & SEDIMENT CONTROL PLAN
 SCALE: 1"=10'



BEST MANAGEMENT PRACTICES FOR SITE FACILITY MAINTENANCE

THE OWNER WILL BE RESPONSIBLE FOR THE MAINTENANCE AND OPERATION OF ALL SITE RELATED FACILITIES, INCLUDING THE STORM WATER SEDIMENT AND DETENTION BASINS AND THE FOLLOWING MEASURES AND/OR STRUCTURES, AS APPLICABLE AND SHOWN ON THE PLANS:

WATER QUALITY INLETS

1. WATER QUALITY INLETS SHALL BE CLEANED OUT AT LEAST TWICE A YEAR TO REMOVE POLLUTANTS. REMOVED MATERIAL SHOULD BE TAKEN TO A TREATMENT PLANT OR APPROVED LANDFILL FOR DISPOSAL.
2. STORM WATER INLETS THROUGHOUT THE SITE SHALL BE INSPECTED ANNUALLY FOR ACCUMULATED SEDIMENT OR OTHER PROBLEMS AND REPAIRED AS NECESSARY.

PARKING AND ROADWAY PAVEMENTS

1. PARKING AREA AND ROADWAY PAVEMENTS SHALL BE SWEEPED ON A REGULAR BASIS TO REMOVE ACCUMULATED SEDIMENT. COLLECTED SEDIMENT SHALL BE REMOVED TO AN APPROVED DISPOSAL SITE WHICH WILL NOT ALLOW THE RE-ENTRANCE OF SILT INTO THE STORM WATER DRAINAGE SYSTEM.

VEGETATIVE STABILIZATION

1. ALL VEGETATIVE PLANTING ON AREAS WHICH HAVE BEEN DISTURBED AND ARE FINISH GRADED SHALL BE INSPECTED AFTER EACH RAIN EVENT. PLANTING (OR SEEDING) SHALL BE MAINTAINED IN A VIABLE CONDITION TO STABILIZE THE SOIL AND TO PREVENT SOIL EROSION. RESTORE ALL SITE PLANTING AND/OR SEEDING WHICH HAS BEEN DAMAGED TO A VIABLE CONDITION.
2. IF VEGETATIVE STABILIZATION HAS BEEN DAMAGED FROM STORM WATER EROSION, CORRECT UPSTREAM CONDITIONS WHICH CAUSED THE EROSION. CHECK DAMS MAY BE REQUIRED IN DRAINAGE WAYS, AND STONE OUTFALL APRONS MAY BE REQUIRED TO BE REPAIRED AT STORM WATER OUTLETS.

CONSTRUCTION ACTIVITY

1. CONSTRUCTION ACTIVITIES WILL OCCUR DURING WEEKDAYS COMMENCING AT 7:00 AM AND TERMINATING AT 6:00 PM

EROSION AND SILTATION CONTROL NOTES:

1. GRADED AREAS – UPPER ELEVATIONS: PROVIDE TEMPORARY DRAINAGE SWALES, 1% GRADE MIN., TO DIRECT RUNOFF AWAY FROM CONSTRUCTION SITES. DISCHARGE AREAS AND ENERGY DISPERSION REQUIREMENTS TO BE ACCEPTABLE TO OWNER.
2. GRADED AREAS – LOWER ELEVATIONS: PROVIDE DRAINAGE SWALES, 1% MIN. GRADES, WITH STAKED AND SECURED HAY BALE BERMS TO PREVENT DOWN STREAM AND DOWN GRADIENT SILTATION.

SEDIMENT & EROSION CONTROL NOTES & CONSTRUCTION SEQUENCING

1. CONSTRUCT STABILIZED CONSTRUCTION ENTRANCES FOR ALL ROAD AND DRIVE ENTRANCES. STREETS SHALL BE CLEANED DAILY.
2. INSTALL SEDIMENT BARRIERS/SWALES/DITCHES/DIKES AT DOWN SLOPE AREAS FROM ALL PROPOSED GRADING OPERATIONS, AND INSTALL OTHER SEDIMENTATION AND EROSION CONTROL STRUCTURES OR MEASURES AS SHOWN ON THE DRAWINGS.
3. LAND DISTURBANCE SHALL BE LIMITED TO ONLY THAT AREA NECESSARY FOR DEVELOPMENT. NO MORE THAN FIVE (5) ACRES OF UNPROTECTED SOIL SHALL BE DISTURBED AT ONE TIME. PREVIOUS EARTHWORK SHALL BE STABILIZED AS SPECIFIED BEFORE ADDITIONAL AREA IS EXPOSED. EXISTING DWELLINGS AND STRUCTURES SHALL BE REMOVED PRIOR TO ANY SITE CLEARING AND SOIL DISTURBANCE.
4. CLEAR EXISTING TREES AND VEGETATION FROM AREAS TO BE EXCAVATED OR FILLED, THEN STRIP AND STOCKPILE TOPSOIL FROM ALL AREAS TO BE DISTURBED. SEED STOCKPILED TOPSOIL WITH TEMPORARY RYEGRASS COVER AS SPECIFIED BELOW (SEE NOTE 8), AND ERECT A SILT FENCE AROUND THE STOCKPILE.
5. PROTECT ALL TREES WHICH ARE TO REMAIN AND WHICH ARE IN OR NEAR CONSTRUCTION AREAS.
6. PERFORM NECESSARY EXCAVATION OR FILL OPERATIONS TO BRING SITE TO DESIRED SUBGRADE.
7. INSTALL SEDIMENT BARRIERS AROUND ALL STORM DRAIN INLETS, OR MODIFY SEDIMENT CONTROL MEASURES INSTALLED IN #2 ABOVE AND MAINTAIN UNTIL ALL DISTURBED AREAS ARE STABILIZED WITH VEGETATION AND ALL PAVEMENTS ARE PAVED WITH A BASE COURSE.
8. TEMPORARILY SEED ALL DISTURBED AREAS WHICH WILL REMAIN UNDISTURBED FOR A PERIOD OF 15 DAYS OR MORE AND WHICH WILL NOT BE UNDER CONSTRUCTION WITHIN 30 DAYS IN ACCORDANCE WITH SPECIFICATION FOR VEGETATIVE ESTABLISHMENT.
9. IF CONSTRUCTION IS SUSPENDED OR COMPLETED. ALL DISTURBED AREAS SHALL BE SEEDDED AND MULCHED IMMEDIATELY. ALL SLOPES STEEPER THAN ONE ON THREE (V/H) AND PERIMETER TRENCHES AND TRAP EMBANKMENTS SHALL, ON COMPLETION, BE IMMEDIATELY STABILIZED WITH TEMPORARY SEEDING AND MULCHING.
10. AFTER COMPLETION OF SITE CONSTRUCTION, FINE GRADE AND SPREAD TOPSOIL ON ALL LAWN AREAS AND SEED WITH PERMANENT LAWN MIX AS DISCUSSED ON THE SPECIFICATIONS FOR FOR VEGETATIVE ESTABLISHMENT ON THIS SHEET.
11. DURING THE PROGRESS OF CONSTRUCTION, MAINTAIN ALL SEDIMENT TRAPS, BARRIERS, AND FILTERS AS NECESSARY TO PREVENT THEIR BEING CLOGGED UP WITH SEDIMENT.
12. AFTER PAVEMENTS ARE INSTALLED AND PERMANENT VEGETATIVE COVER AND PLANTINGS ARE ESTABLISHED, REMOVE SEDIMENT BARRIERS AND SEED THOSE DISTURBED AREAS.
13. MAINTAIN ALL SEEDDED AND PLANTED AREAS TO INSURE A VIABLE STABILIZED VEGETATIVE COVER.
14. STRUCTURAL MEASURES MUST BE MAINTAINED TO BE EFFECTIVE. IN GENERAL, THESE MEASURES MUST BE PERIODICALLY INSPECTED TO INSURE STRUCTURAL INTEGRITY, TO DETECT VANDALISM DAMAGE, AND FOR CLEANING AND REPAIR WHENEVER NECESSARY.
15. DURING CONSTRUCTION, ALL STRUCTURES SHOULD BE INSPECTED WEEKLY AND AFTER EVERY RAIN. REMOVE ACCUMULATED SEDIMENT AND STOCKPILE AND STABILIZE IN AN AREA NOT SUBJECT TO FURTHER EROSION.
16. AFTER CONSTRUCTION IS COMPLETED, PERMANENT SEDIMENT OR EROSION CONTROL STRUCTURES SHOULD BE INSPECTED AT LEAST SEMI-ANNUALLY AND AFTER EVERY RAIN.

SPECIFICATIONS FOR VEGETATIVE ESTABLISHMENT:

1. PERMANENT SEEDING:
 - A. SEEDBED PREPARATION: AREA TO BE SEEDDED SHALL BE LOOSE AND FRIABLE TO A DEPTH OF AT LEAST 3 INCHES. THE TOP LAYER SHALL BE LOOSENEED BY RAKING, DISKING OR OTHER ACCEPTABLE MEANS BEFORE SEEDING OCCURS. FOR SITES LESS THAN 5 ACRES, APPLY 100 POUNDS OF DOLOMITIC LIMESTONE AND 21 POUNDS OF 10–20 FERTILIZER PER 1,000 SF. HARROW OR DISK LIME AND FERTILIZER INTO THE SOIL TO A DEPTH OF AT LEAST 3 INCHES ON SLOPES FLATTER THAN 3:1.
 - B. SEEDING: APPLY 5–6 POUNDS PER 1,000 SF OF SEED MIX BETWEEN FEBRUARY 1 AND MAY 15 OR BETWEEN AUGUST 15 AND OCTOBER 31. APPLY SEED UNIFORMLY ON A MOIST FIRM SEEDBED WITH A CYCLONE SEEDER DRILL, CULTIPACKR SEEDER OR HYDROSEEDER (SLURRY INCLUDES SEEDS AND FERTILIZER, RECOMMENDED ON STEEP SLOPES ONLY). MAXIMUM SEED DEPTH SHOULD BE 1/4 INCH IN CLAYEY SOILS AND 1/2 INCH IN SANDY SOILS WHEN USING OTHER THAN THE HYDROSEEDER METHOD. IRRIGATE IF SOIL MOISTURE IS DEFICIENT TO SUPPORT ADEQUATE GROWTH UNTIL VEGETATION IS FIRMLY ESTABLISHED. SELECT SEED MIXTURES FROM SECTION 3, NYS GUIDELINES FOR URBAN EROSION & SEDIMENT CONTROL.
 - C. MULCHING: MULCH SHALL BE APPLIED TO ALL SEEDDED AREAS IMMEDIATELY AFTER SEEDING. DURING THE TIME PERIODS WHEN SEEDING IS NOT PERMITTED, MULCH SHALL BE APPLIED IMMEDIATELY AFTER GRADING. MULCH SHALL BE UNROTTED, UNCHOPPED, SMALL GRAIN STRAW APPLIED AT A RATE OF 2 TONS PER ACRE OR 90 POUNDS PER 1,000 SQUARE FEET (2 BALES). IF A MULCH ANCHORING TOOL IS USED, APPLY 2.5 TONS PER ACRE. MULCH MATERIALS SHALL BE RELATIVELY FREE OF ALL KINDS OF WEEDS AND SHALL BE COMPLETELY FREE OF PROHIBITED NOXIOUS WEEDS. SPREAD MULCH UNIFORMLY, MECHANICALLY, OR BY HAND TO A DEPTH OF 1–2 INCHES.
 - D. SECURING STRAW MULCH: STRAW MULCH SHALL BE SECURED IMMEDIATELY FOLLOWING MULCH APPLICATIONS TO MINIMIZE MOVEMENT OF WIND OR WATER. THE FOLLOWING METHODS ARE PERMITTED:
 - i. USE A MULCH ANCHORING TOOL WHICH IS DESIGNED TO PUNCH AND ANCHOR FABRIC TYPE MULCH INTO THE SOIL SURFACE TO A MINIMUM DEPTH OF 2 INCHES. THIS IS THE MOST EFFECTIVE METHOD FOR SECURING MULCH. HOWEVER, IT IS LIMITED TO RELATIVELY FLAT AREAS WHERE EQUIPMENT CAN OPERATE SAFELY.
 - ii. WOOD CELLULOSE FIBER MAY BE USED FOR ANCHORING STRAW. APPLY THE FIBER BINDER AT A NET DRY WEIGHT OF 750 POUNDS PER ACRE. IF MIXED WITH WATER, USE 50 POUNDS OF WOOD CELLULOSE FIBER PER 100 GALLONS OF WATER.
 - iii. LIQUID BINDERS MAY BE USED AND APPLIED HEAVIER AT THE EDGES WHERE WIND CATCHES MULCH, SUCH AS IN VALLEYS AND ON CRESTS OF SLOPES. THE REMAINDER OF THE AREA SHOULD APPEAR UNIFORM AFTER BINDER APPLICATION.
 - iv. LIGHTWEIGHT NETTING, MAY BE USED TO SECURE MULCH. THE NETTING WILL BE STAPLED TO THE GROUND ACCORDING TO MANUFACTURERS' RECOMMENDATIONS.
2. TEMPORARY SEEDING:
 - LIME: 100 POUNDS OF DOLOMITIC LIMESTONE PER 1,000 SF
 - FERTILIZER: 15 POUNDS OF 10–10–10 PER 1,000 SF
 - SEED: PERENNIAL RYE–0.92 POUNDS PER 1,000 SF
3. FILL:
 - NO FILLS MAY BE PLACED ON FROZEN GROUND. ALL FILL TO BE PLACED IN APPROXIMATELY HORIZONTAL LAYERS, EACH LAYER HAVING A LOOSE THICKNESS OF NOT MORE THAN 8 INCHES. ALL FILL IN ROADWAYS AND PARKING AREAS IS TO BE CLASSIFIED TYPE 2 COMPACTED TO 90% DENSITY; COMPACTION TO BE DETERMINED BY ASTM D–1557–66T (MODIFIED PROCTOR). ANY FILL WITHIN THE BUILDING AREA IS TO BE COMPACTED TO A MINIMUM OF 95% AS DETERMINED BY METHODS PREVIOUSLY MENTIONED. FILLS FOR POND EMBANKMENTS SHALL BE COMPACTED AS PER THE PROJECT ENGINEER'S SPECIFICATIONS. ALL OTHER FILLS SHALL BE COMPACTED SUFFICIENTLY SO AS TO BE STABLE AND PREVENT EROSION AND SLIPPAGE.
4. PERMANENT SOD:
 - INSTALLATION OF SOD SHOULD FOLLOW THE PERMANENT SEEDING DATES. PERMANENT SOD IS TO BE STATE APPROVED SOD; LIME AND FERTILIZER PER PERMANENT SEEDING SPECIFICATIONS AND LIGHTLY IRRIGATE SOIL PRIOR TO LAYING SOD. SOD IS TO BE LAID ON THE CONTOUR WITH ALL ENDS TIGHTLY ABUTTING. JOINTS ARE TO BE STAGGERED BETWEEN ROWS. WATER AND ROLL OR TAMP SOD TO INSURE POSITIVE ROOT CONTACT WITH THE SOIL. ALL SLOPES STEEPER THAN 3:1, AS SHOWN, ARE TO BE PERMANENTLY SODDED OR PROTECTED WITH APPROVED EROSION CONTROL NETTING. ADDITIONAL WATERING FOR ESTABLISHMENT MAY BE REQUIRED. SOD IS NOT TO BE APPLIED ON FROZEN GROUND. SOD SHALL NOT BE HARVESTED OR TRANSPLANTED WHEN MOISTURE CONTENT (DRY OR WET) AND/OR EXTREME TEMPERATURE MAY ADVERSELY AFFECT ITS SURVIVAL. IN THE ABSENCE OF ADEQUATE RAINFALL, IRRIGATION SHOULD BE PERFORMED TO INSURE ESTABLISHED SOD.

SLOPE STABILIZATION, SEEDING METHOD & MULCHING

SLOPES OR 4:1 OR GREATER (HORIZONTAL : VERTICAL)

SLOPES SHALL BE HYDROSEEDED WITH THE MIXTURES AND RATES INDICATED IN THE PERMANENT SEEDING MIXTURE SCHEDULE. STRAW OR HAY MULCH SHALL BE APPLIED AT A RATE OF 2,000 LBS./ACRE. STRAW OR HAY MULCH SHALL BE ANCHORED WITH BioD–Mesh60 NETTING AS MANUFACTURED BY ROLANKA INTERNATIONAL OR APPROVED EQUIVALENT. NETTING TO BE INSTALLED PER MANUFACTURER SPECIFICATIONS.

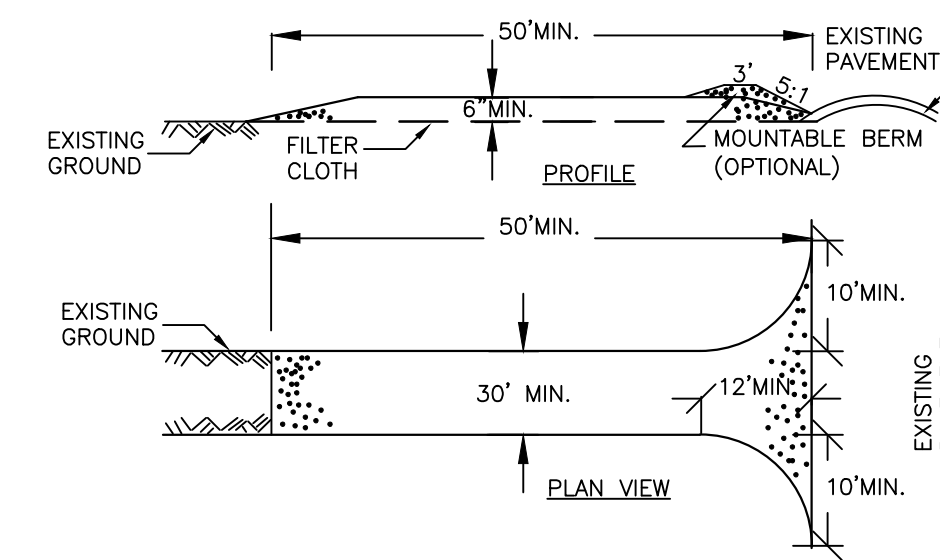
GENTLE SLOPE AND FLAT AREAS

AREA SHALL BE SEEDDED BY HYDROSEEDING OR BROADCASTING WITH THE MIXTURES AND RATES INDICATED ON THE PERMANENT SEEDING MIXTURE SCHEDULE. HYDROSEEDED AREAS SHALL BE MULCHED WITH A WOOD FIBER MULCH APPLIED AT A RATE OF 500 LBS./ACRE. BROADCAST AREAS SHALL BE MULCHED WITH HAY OR STRAW AT A RATE OF 2,000 LBS./ACRE. AREAS SEEDDED BY BROADCASTING SHALL BE LIGHTLY RAKED AND PACED PRIOR TO PLACING MULCH.

AREAS REMAINING DISTURBED FOR 20 DAYS OR MORE SHALL BE STABILIZED AS FOLLOWS:

SCARIFY SOILS IF COMPACTED, LIME TO pH OF 6.0 IF REQUIRED, FERTILIZE WITH 600 LBS./ACRE. 5–10–10 FERTILIZER IF REQUIRED. SEED WITH SPECIES AND RATE SHOWN BELOW. MULCH WITH HAY OR STRAW AT A RATE OF 2,000 LBS./ACRE. ANCHOR MULCH WITH NETTING OF WOOD FIBER OR JUTE IF STEEP SLOPE OR HIGH POTENTIAL FOR EROSION.

SPECIES	APPLICATION RATE
RYEGRASS (ANNUAL OR PERENNIAL) (USE WINTER RYE IF SEEDING IN OCT./NOV.)	30 LBS./ACRE (0.7 LBS./1,000 SF)

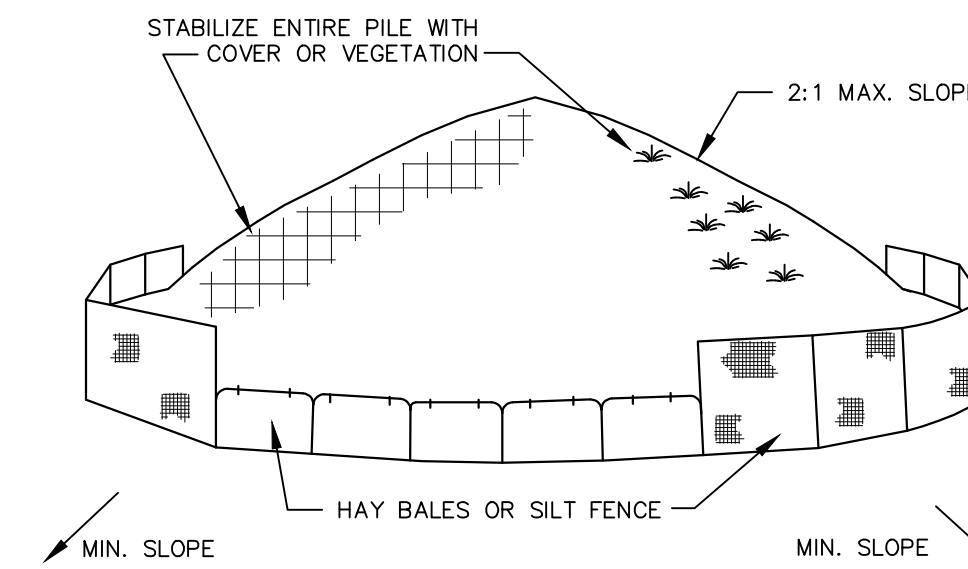


CONSTRUCTION SPECIFICATIONS

1. STONE SIZE – USE 2" STONE, OR RECLAIMED OR RECYCLED CONCRETE EQUIVALENT.
2. LENGTH – NOT LESS THAN 50 FEET (EXCEPT ON A SINGLE RESIDENCE LOT WHERE A 30 FOOT MINIMUM LENGTH WOULD APPLY).
3. THICKNESS – NOT LESS THAN SIX (6) INCHES.
4. WIDTH – TWELVE (12) FOOT MINIMUM, BUT NOT LESS THAN THE FULL WIDTH AT POINTS WHERE INGRESS OR EGRESS OCCURS. TWENTY-FOUR (24) FOOT IF SINGLE ENTRANCE TO SITE.
5. FILTER CLOTH – WILL BE PLACED OVER THE ENTIRE AREA PRIOR TO PLACING OF STONE.
6. SURFACE WATER – ALL SURFACE WATER FLOWING OR DIVERTED TOWARD CONSTRUCTION ENTRANCES SHALL BE PIPED ACROSS THE ENTRANCE. IF PIPING IS IMPRACTICAL, A MOUNTABLE BERM WITH 5:1 SLOPES WILL BE PERMITTED.
7. MAINTENANCE – THE ENTRANCE SHALL BE MAINTAINED IN A CONDITION WHICH WILL PREVENT TRACKING OR FLOWING OF SEDIMENT ONTO PUBLIC RIGHTS-OF-WAY. ALL SEDIMENT SPILLED, DROPPED, WASHED OR TRACTED ONTO PUBLIC RIGHTS-OF-WAY MUST BE REMOVED IMMEDIATELY.
8. WHEN WASHING IS REQUIRED, IT SHALL BE DONE ON A AREA STABILIZED WITH STONE AND WHICH DRAINS INTO AN APPROVED SEDIMENT TRAPPING DEVICE.
9. PERIODIC INSPECTION AND NEEDED MAINTENANCE SHALL BE PROVIDED AFTER EACH RAIN.

STABILIZED CONSTRUCTION ENTRANCE

NOT TO SCALE
FOR CONSTRUCTION SPECIFICATIONS REFER TO "NY GUIDELINES FOR URBAN EROSION AND SEDIMENT CONTROL"

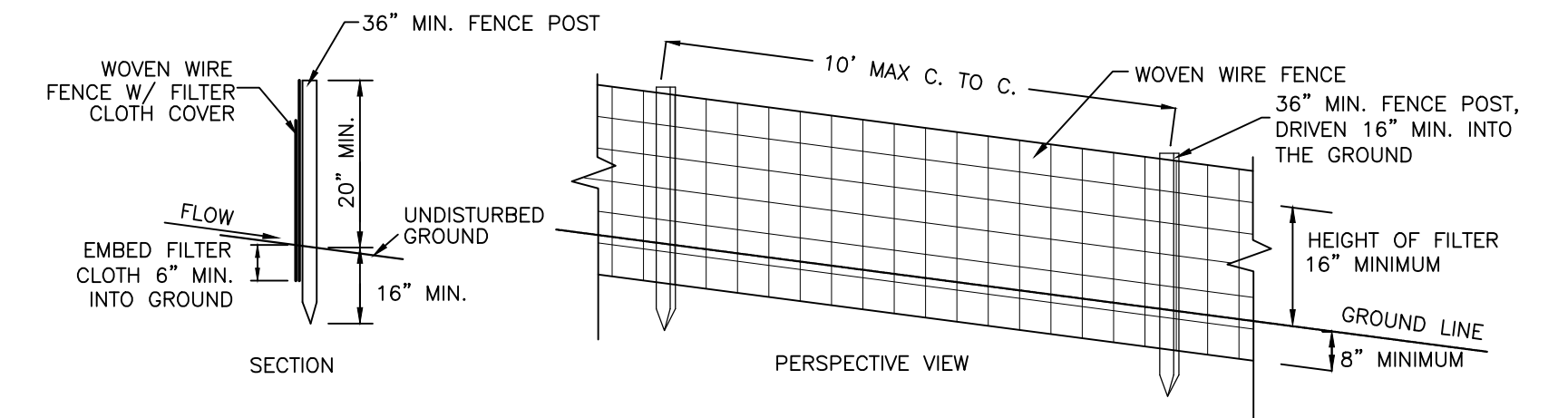


INSTALLATION NOTES:

1. AREA CHOSEN FOR STOCKPILING OPERATIONS SHALL BE DRY AND STABLE
2. MAXIMUM SLOPE OF STOCKPILES SHALL BE 2:1.
3. UPON COMPLETION OF SOIL STOCKPIILING EACH PILE SHALL BE SURROUNDED WITH EITHER SILT FENCING OR HAY BALES, THEN STABILIZED WITH VEGETATION OR COVERED.
4. SEE SPECIFICATIONS FOR INSTALLATION OF SILT FENCE.

SOIL STOCKPILE DETAIL

NOT TO SCALE

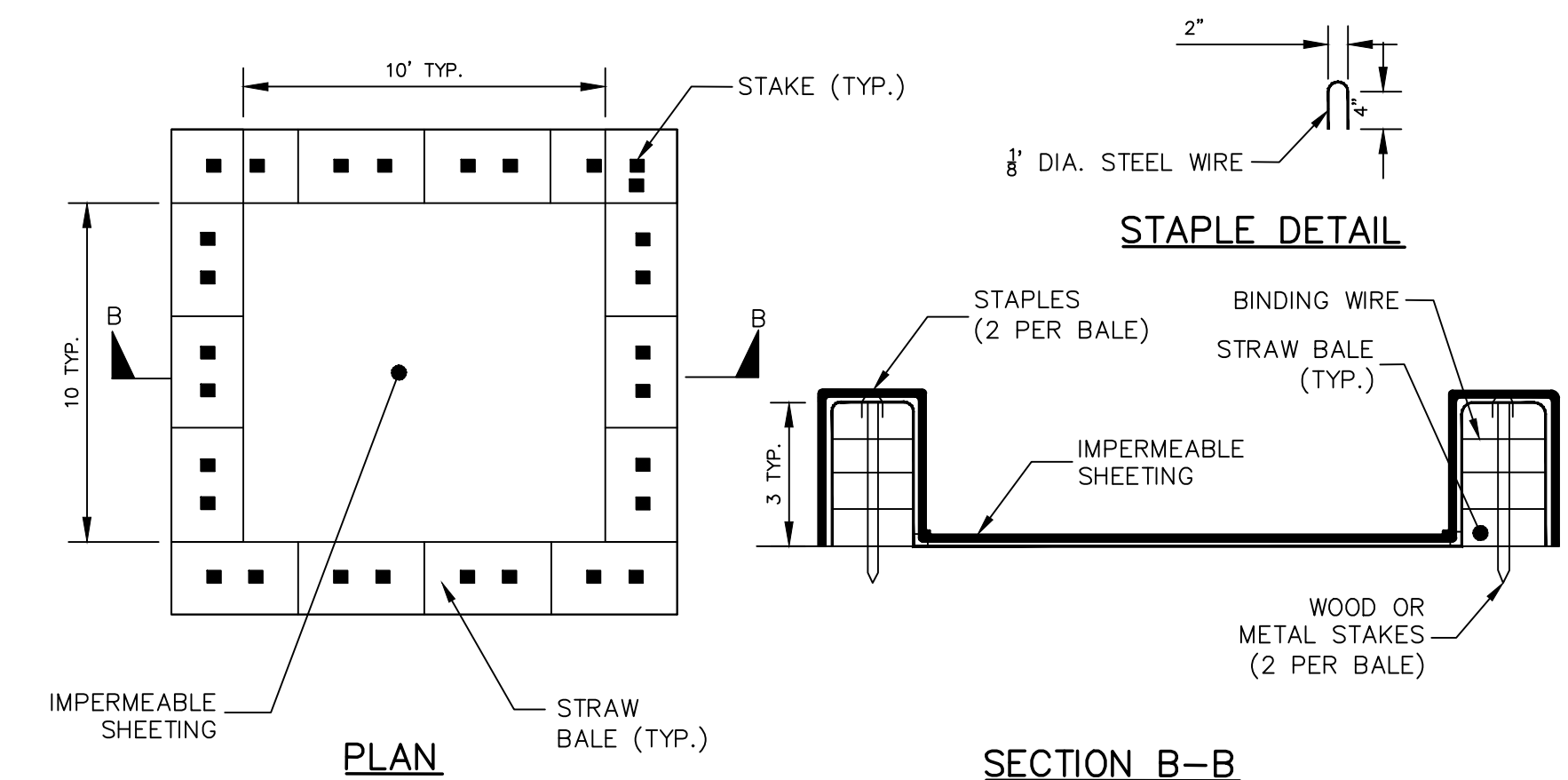


CONSTRUCTION NOTES FOR FABRICATED SILT FENCE

1. WOVEN WIRE FENCE TO BE FASTENED SECURELY TO FENCE POST WITH WIRE TIES OR STAPLES.
 2. FILTER CLOTH TO BE FASTENED SECURELY TO WOVEN WIRE FENCE WITH TIES SPACED EVERY 24" AT TOP AND MID SECTION.
 3. WHEN TWO SECTIONS OF FILTER CLOTH ADJOIN EACH OTHER THEY SHALL BE OVERLAPPED BY 6" AND FOLDED.
 4. MAINTENANCE SHALL BE PERFORMED AS NEEDED AND MATERIAL REMOVED WHEN 'BULGES' DEVELOP IN THE SILT FENCE.
- POST: STEEL EITHER 'T' OR 'U' TYPE OR 2" HARDWOOD
FENCE: WOVEN WIRE, 14 1/2 GA. 6" MAX. MESH OPENING
FILTER CLOTH: FILER X, MIRAFI 100X, STABILINKA T140N OR APPROVED EQUAL
PREFABRICATED UNIT: GEOFAB, ENVIROFENCE, OR APPROVED EQUAL.

SILT FENCE DETAIL

NOT TO SCALE



CONCRETE WASHOUT AREA WITH STRAW BALES

NOT TO SCALE

NOTE:

CAN BE TWO STACKED BALES OR PARTIALLY EXCAVATED TO REACH 3 FT DEPTH

CONSTRUCTION SPECIFICATIONS

1. LOCATE WASHOUT STRUCTURE A MINIMUM OF 50 FEET AWAY FROM OPEN CHANNELS, STORM DRAIN INLETS, SENSITIVE AREAS, WETLANDS, BUFFERS AND WATER COURSES AND AWAY FROM CONSTRUCTION TRAFFIC.
2. SIZE WASHOUT STRUCTURE FOR VOLUME NECESSARY TO CONTAIN WASH WATER AND SCUDS AND MAINTAIN AT LEAST 4 INCHES OF FREEBOARD. TYPICAL DIMENSIONS ARE 10 FEET X 10 FEET X 3 FEET DEEP.
3. PREPARE SOIL BASE FREE OF ROCKS OR OTHER DEBRIS THAT MAY CAUSE TEARS OR HOLES IN THE LINER. FOR LINER, USE 10 MIL OR THICKER UV RESISTANT, IMPERMEABLE SHEETING, FREE OF HOLES AND TEARS OR OTHER DEFECTS THAT COMPROMISE IMPERMEABILITY OF THE MATERIAL.
4. PROVIDE A SIGN FOR THE WASHOUT IN CLOSE PROXIMITY TO THE FACILITY.
5. KEEP CONCRETE WASHOUT STRUCTURE WATER TIGHT. REPLACE IMPERMEABLE LINER IF DAMAGED (EG. RIPPED OR PUNCTURED). EMPTY OR REPLACE WASHOUT STRUCTURE THAT IS 75 PERCENT FULL, AND DISPOSE OF ACCUMULATED MATERIAL PROPERLY. DO NOT REUSE PLASTIC LINER. WET-VACUUM STORED LIQUIDS THAT HAVE NOT EVAPORATED AND DISPOSE OF IN AN APPROVED MANNER. PRIOR TO FORECASTED RAINSTORMS, REMOVE LIQUIDS OR COVER STRUCTURE TO PREVENT OVERFLOWS. REMOVE HARDENED SOLIDS, WHOLE OR BROKEN UP. FOR DISPOSAL OR RECYCLING, MAINTAIN RUNOFF DIVERSION AROUND EXCAVATED WASHOUT STRUCTURE UNTIL STRUCTURE IS REMOVED.

TREE CLEARING NOTE:

NO TREE REMOVAL SHALL BE REMOVED FROM APRIL 1st TO OCTOBER 31st TO MITIGATE POTENTIAL HARMFUL IMPACTS TO INDIANA BAT.

REV.	BY	DATE	DESCRIPTION
1	MM	11-05-24	REVISED BUILDING FOOTPRINT

THIS SHEET IS NOT VALID WITHOUT ALL OF THE SHEETS THAT COMPRISE THE SET

ARDEN CONSULTING ENGINEERS, PLLC
P.O. BOX 340 MONROE, N.Y.
TEL: (845) 782-8114
WWW.ARDENCONSULTING.NET

SITE PLAN PREPARED FOR
32 VIRGINIA
VILLAGE OF SOUTH BLOOMING GROVE
ORANGE COUNTY, NEW YORK

EROSION & SEDIMENT CONTROL DETAILS

JOB#: 24-032
SCALE: AS NOTED
DATE: 08-26-24
DRAWN: MM
CHECKED: MM
SHEET NO. 07 of 11

MICHAEL A. MORGANTE, P.E.
LIC. NO. 78577

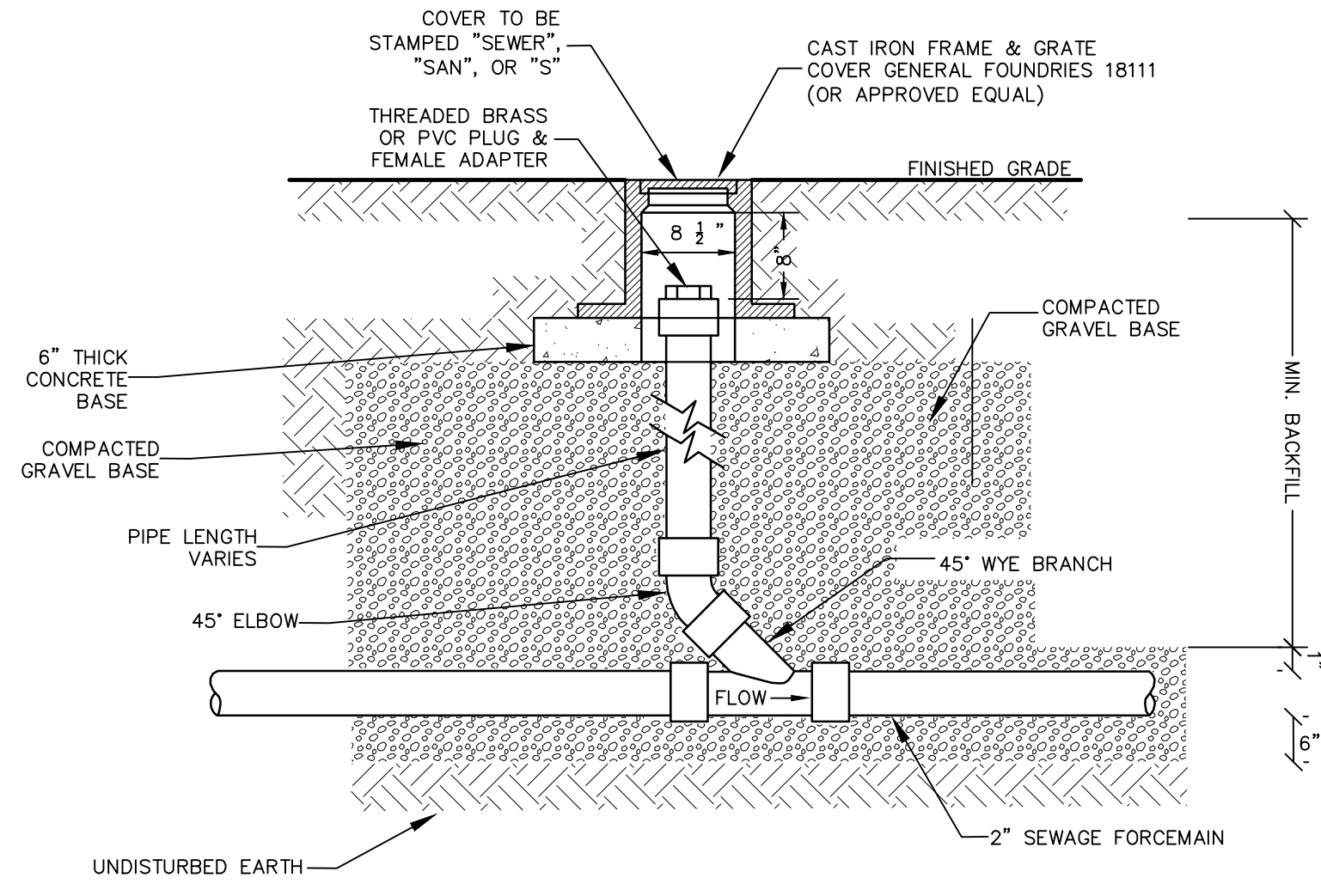
WARNING- IT IS A VIOLATION OF NEW YORK EDUCATIONAL LAW, SECTION 7209.2, FOR ANY PERSON, UNLESS ACTING UNDER THE DIRECTION OF A LICENSED PROFESSIONAL ENGINEER OR LAND SURVEYOR, TO ALTER THIS DOCUMENT IN ANY WAY. IF ALTERED, THE ALTERING PERSON SHALL COMPLY WITH THE REQUIREMENTS OF NEW YORK EDUCATIONAL LAW, SECTION 7209.2

Dig Safely. New York
Call 811
before you dig

ONLY MAPS WITH EMBOSSED SEALS ARE GENUINE COPIES OF THE ORIGINAL WORK AND OPINION. MAPS NOT BEARING EMBOSSED SEALS SHOULD NOT BE RELIED UPON SINCE OTHER THAN EMBOSSED-SEAL COPIES MAY CONTAIN UNAUTHORIZED AND UNDETECTABLE MODIFICATIONS, DELETIONS, ADDITIONS AND CHANGES.

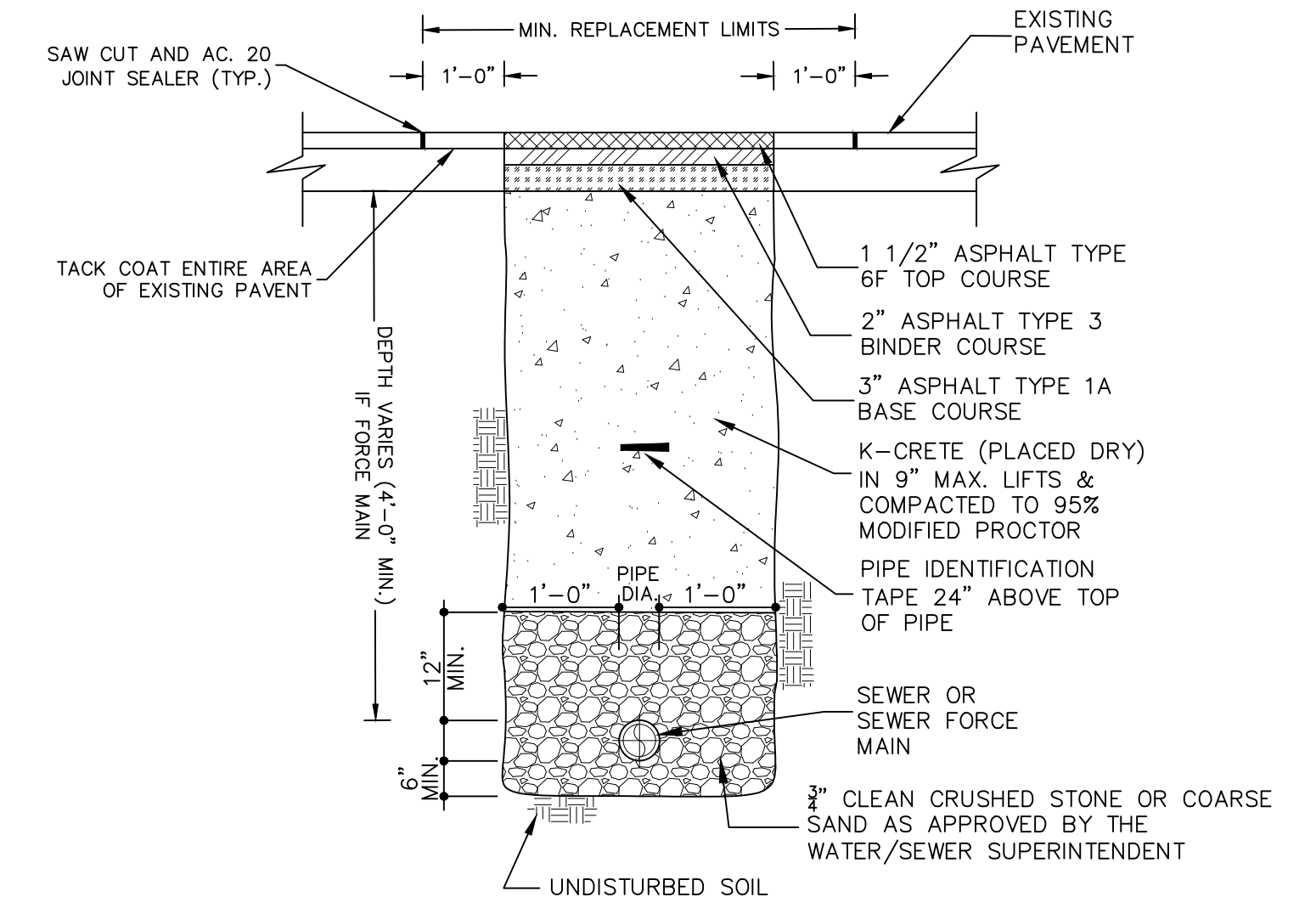
SEWER NOTES:

- UNDERGROUND UTILITIES SHOWN HEREON ARE APPROXIMATE, THEIR ACCURACY OR COMPLETENESS ARE NOT GUARANTEED BY THE ENGINEER. MARK OUTS FROM UTILITY COMPANIES AND FIELD CONFIRMATION BY CONTRACTOR MUST BE MADE PRIOR TO CONSTRUCTION SO THAT DISTURBANCE OR DISRUPTION TO THESE UTILITIES MAY BE AVOIDED. ALL EXISTING UTILITIES ARE TO BE COORDINATED WITH THE APPROPRIATE UTILITY FOR CONNECTION/DISCONNECTION WHERE NECESSARY.
- THE CONTRACTOR SHALL DETERMINE THE LOCATION AND DEPTH OF THE EXISTING UTILITY TO WHICH THE CONNECTION IS BEING MADE BEFORE LAYING PIPE, CONDUIT, ETC. DISCREPANCIES SHALL BE REPORTED TO THE ENGINEER. IN CASES WHERE THE CONSTRUCTION OF ITEMS MEET EXISTING STRUCTURES, SUCH AS CURB, PAVEMENT, SIDEWALK, UTILITIES, ETC. THE CONTRACTOR OR SURVEYOR STAKING SUCH ITEMS SHALL VERIFY THE ELEVATION LOCATION OF THE EXISTING FEATURE PRIOR TO CONSTRUCTION. DISCREPANCIES SHALL BE BROUGHT TO THE ATTENTION OF THE ENGINEER.
- THE CONTRACTOR SHALL EXERCISE EXTREME CARE IN CONDUCTING EXCAVATIONS TO ESTABLISH LOCATIONS AND DEPTHS OF EXISTING UNDERGROUND UTILITIES, FACILITIES AND STRUCTURES. THE CONTRACTOR SHALL HAND EXCAVATE WHERE APPROPRIATE.
- SANITARY SEWER SHALL BE SEPARATED FROM THE WATER MAINS BY A DISTANCE OF AT LEAST 10 FEET HORIZONTALLY OR 18 INCHES VERTICALLY IF HORIZONTAL SEPARATION IS NOT POSSIBLE.
- ALL SANITARY SEWER PIPE LENGTHS SHOWN ARE FROM CENTER OF STRUCTURE TO CENTER OF STRUCTURE.
- ALL EQUIPMENT, MATERIALS, ETC. SHALL BE CONFINED TO THE PUBLIC RIGHTS OF WAY OR VILLAGE EASEMENTS. NO ENCROACHMENT ONTO ADJACENT PROPERTIES IS PERMITTED.
- THE CONTRACTOR IS SOLELY RESPONSIBLE FOR CONSTRUCTION SITE SAFETY. ALL SAFETY PRECAUTIONS MUST BE UNDERTAKEN AND MAINTAINED AS REQUIRED BY LOCAL, STATE AND FEDERAL CODES.
- THE SITE CONTRACTOR SHALL BE RESPONSIBLE FOR MAINTAINING COMPLIANCE WITH THE NYSDEC AND VILLAGE REGULATIONS REGARDING STORM WATER POLLUTION PREVENTION.
- THE SITE CONTRACTOR SHALL BE RESPONSIBLE FOR MAINTENANCE AND PROTECTION OF TRAFFIC (MPT WHEN WORKING ON OR NEAR PUBLIC ROADS. MPT MEASURES MUST BE COORDINATED WITH THE APPROPRIATE HIGHWAY OFFICIALS (TOWN, VILLAGE, AND NYSOT) HAVING JURISDICTION OVER EACH PARTICULAR ROADWAY.
- IN THE EVENT THAT THE CONTRACTOR OR ITS SUBCONTRACTORS DAMAGE ANY EXISTING UTILITY, FACILITY OR STRUCTURE, THE CONTRACTOR SHALL IMMEDIATELY NOTIFY THE OWNER OF THE DAMAGED PROPERTY AND VILLAGE.
- ALL STRUCTURES AND SURFACES DISTURBED DURING CONSTRUCTION SHALL BE RESTORED TO ITS PRE-CONSTRUCTION OR BETTER CONDITION.
- THE CONTRACTOR SHALL REVIEW THE SITE CONDITIONS WITH RESPECT TO DRAINAGE AND GENERAL SOIL CONDITIONS IN THE AREA AND PLAN ITS WORK IN SUCH A MANNER TO WORK EFFICIENTLY AND SAFELY. THE CONTRACTOR IS SOLELY RESPONSIBLE FOR THE CONTROL OF SURFACE AND GROUNDWATER IN THE CONSTRUCTION AREA.
- THE CONTRACTOR SHALL MAKE ALL NECESSARY ARRANGEMENTS FOR STAGING AREAS FOR MATERIALS AND EQUIPMENT.
- THE CONTRACTOR SHALL ARRANGE FOR A SUITABLE AREA FOR THE STORAGE AND DISPOSAL OF EXCESS EXCAVATED SOIL MATERIALS. THE CONTRACTOR IS RESPONSIBLE FOR ANY PERMITS AND FEES ASSOCIATED WITH THE PROPER DISPOSAL OF SOIL AND OTHER MATERIALS FROM THE PROJECT.
- THE MORE STRICT OF ANY REQUIREMENT, CODE, RULE, REGULATION AND LAW ESTABLISHED BY THE VILLAGE OR OTHER GOVERNMENTAL AGENCY, INCLUDING BUT NOT LIMITED TO THE NEW YORK STATE DEPARTMENT OF HEALTH, NEW YORK STATE DEPARTMENT OF ENVIRONMENTAL CONSERVATION, UNITED STATES ARMY CORP OF ENGINEERS, UNITED STATES ENVIRONMENTAL PROTECTION AGENCY, UNITED STATES OCCUPATIONAL SAFETY AND HEALTH ADMINISTRATION AND NEW YORK STATE DEPARTMENT OF LABOR FOR SANITARY SEWER SIZE, SLOPE, ALIGNMENT, MATERIALS OF CONSTRUCTION AND APPURTENANCES AND METHODS FOR EXCAVATING, PIPE PLACEMENT, JOINTING, TESTING AND TRENCH BACKFILLING SHALL BE COMPLIED WITH DURING ALL PHASES OF CONSTRUCTION.
- ALL SANITARY SEWER CONSTRUCTION SHALL BE IN ACCORDANCE WITH THE PLANS AND SPECIFICATIONS THAT ARE APPROVED BY THE VILLAGE. ANY DEVIATION FROM THE APPROVED PLANS AND/OR SPECIFICATIONS SHALL REQUIRE REVIEW AND APPROVAL BY THE VILLAGE. THE CONTRACTOR SHALL BE RESPONSIBLE TO NOTIFY THE PROJECT ENGINEER AND THE VILLAGE OF ANY PLANNED DEVIATION(S) FROM THE APPROVED PLANS AND/OR SPECIFICATIONS.
- FITTINGS SHALL BE STANDARD LENGTH.
- PIPE JOINTS SHALL BE STANDARD LENGTH.
- CONNECTION TO EXISTING SANITARY MANHOLE SHALL BE CORE BORED FOR A KOR-N-SEAL.



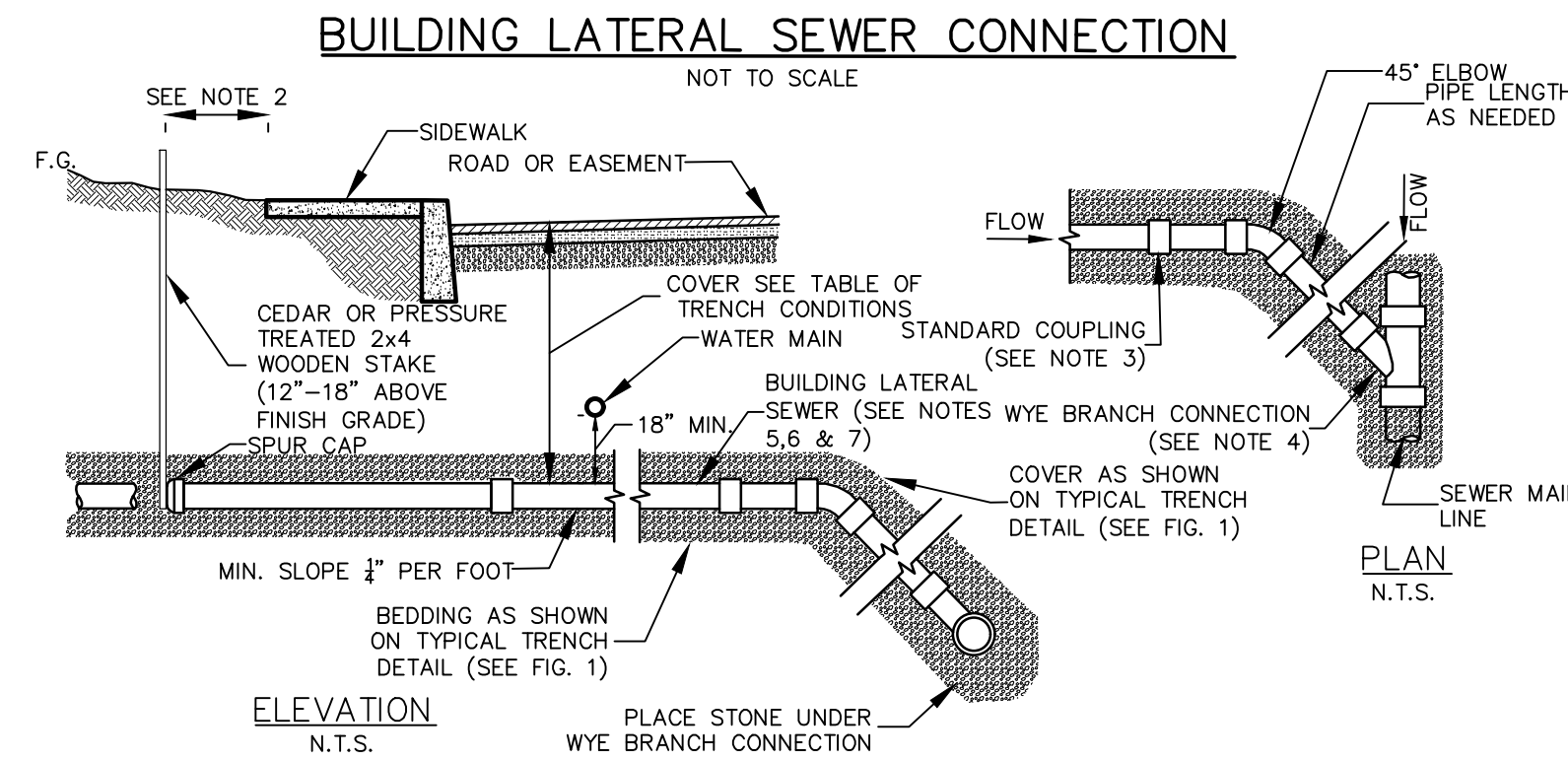
- NOTES:
1. CLEANOUT LOCATED IN A ROAD, DRIVEWAY OR PARKING AREA SHALL REQUIRE A CAMBELL FOUNDRY #4164 CAST IRON FRAME AND COVER. (OR APPROVED EQUAL).

BUILDING LATERAL SEWER CLEANOUT (C.O.)
NOT TO SCALE



TYPICAL SEWER MAIN INSTALLATION/RESTORATION DETAIL IN VILLAGE STREET
NOT TO SCALE

- NOTE:
1. PAVEMENT AND SUBBASE MATERIAL SHALL AT A MINIMUM, MATCH THE EXISTING TYPES AND THICKNESSES FOUND WITHIN ANY TOWN, COUNTY OR STATE HIGHWAY, WHICHEVER IS GREATER.



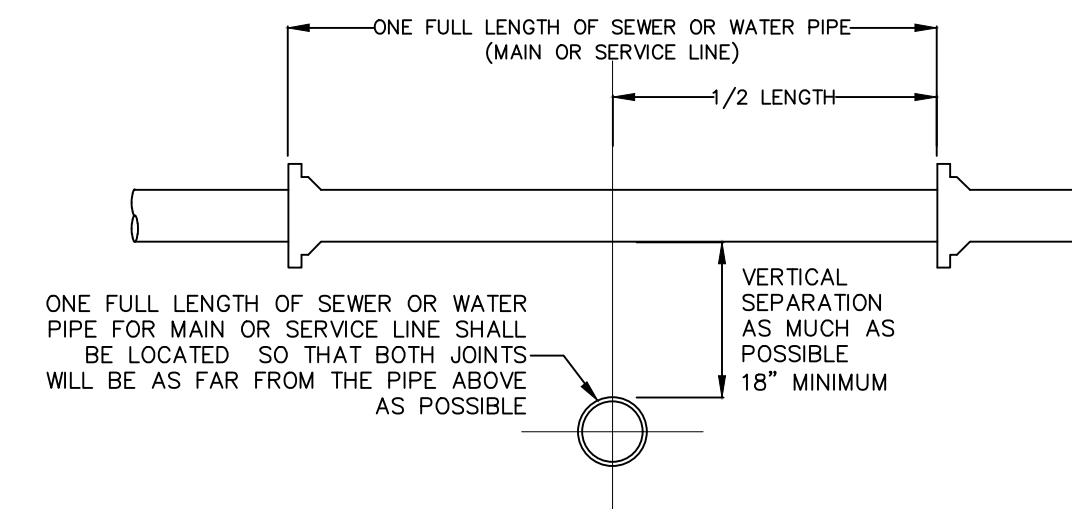
SANITARY SEWER SPECIFICATIONS (FOR BUILDING LATERAL SEWERS AND SEWER MAIN LINE):

- REQUIRED MAIN LINE SEWER (OR APPROVED EQUAL):
 - ABS-TRUSS PIPE:
 - PIPE: STAMPED ASTM D2680
 - FITTINGS: STAMPED ASTM D2680
 - JOINTS: SOLVENT WELD, ASTM D2235
 - PVC-TRUSS PIPE:
 - PIPE: STAMPED ASTM D2680
 - FITTINGS: STAMPED ASTM D2680
 - JOINTS: SOLVENT WELD, ASTM D2564 OR ELASTOMERIC (GASKET)
 - PVC - SDR 26 HEAVY WALL PIPE:
 - PIPE (8" - 15" DIAMETER): STAMPED ASTM D3034. PIPE (18" AND GREATER DIAMETER): STAMPED ASTM F679.
 - FITTINGS: STAMPED ASTM D3034 OR F679.
 - JOINTS: SOLVENT WELD ASTM D2564 OR ELASTOMERIC GASKET.
 - PVC - SDR 35 SOLID WALL PIPE:
 - PIPE (8"-15" DIAMETER): STAMPED ASTM D3034. PIPE (18" AND GREATER DIAMETER): STAMPED ASTM F679.
 - FITTINGS: STAMPED ASTM D3034 OR ASTM F679.
 - JOINTS: BELL AND SPIGOT WITH ELASTOMERIC GASKET ASTM D3034 OR SOLVENT WELD ASTM D2564.
- REQUIRED 4" OR 6" (AS APPROVED) BUILDING LATERAL SEWER (OR APPROVED EQUAL):
 - PVC - SDR 35 SOLID WALL PIPE:
 - PIPE: STAMPED ASTM D3034 AND SDR 35.
 - FITTINGS: STAMPED SDR 35 AND ASTM D3034.
 - JOINTS: BELL AND SPIGOT WITH ELASTOMERIC GASKET ASTM D3034 OR SOLVENT WELD ASTM D2564.
 - SDR 26 HEAVY WALL PIPE:
 - PIPE: STAMPED ASTM D3034 AND SDR 26.
 - FITTINGS: STAMPED SDR 26 AND ASTM D3034.
 - JOINTS: BELL AND SPIGOT WITH ELASTOMERIC GASKET ASTM D3034 OR SOLVENT WELD ASTM D2564.
 - SDR 23.5 ABS SOLID WALL PIPE:
 - PIPE: STAMPED ASTM D2751 AND SDR 23.5
 - FITTINGS: STAMPED SDR 23.5 ASTM D2751
 - JOINTS: SOLVENT WELD, ASTM D2235
- OTHER REQUIRED PIPE MATERIALS FOR BUILDING LATERAL SEWERS AND SEWER MAIN LINE (OR APPROVED EQUAL):
 - CAST IRON, EXTRA HEAVY, COATED, HUB & PLAIN END, ASTM C-74 WITH ELASTOMERIC COMPRESSION GASKET (ASTM C-564)
 - DUCTILE IRON PIPE: CLASS 52, CEMENT LINED AND TAR COATED INSIDE AND OUT.

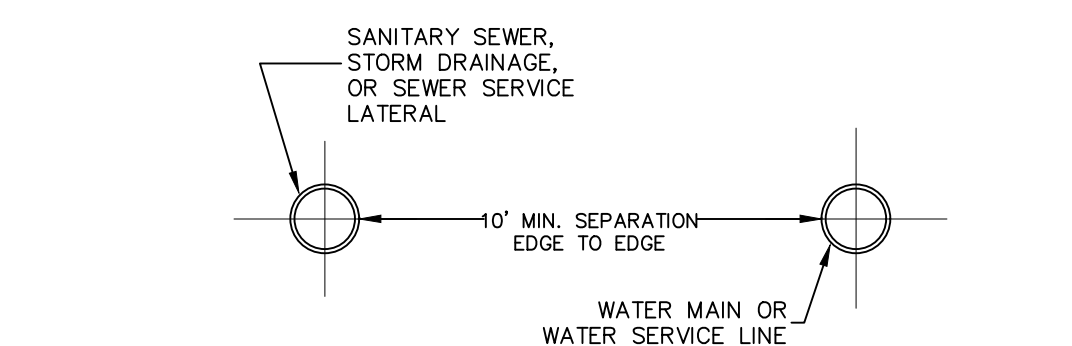
SPECIAL CONDITIONS FOR SHALLOW TRENCH CONDITIONS	
COVER	PIPE
LESS THAN 4'-0"	CLASS 52 DUCTILE IRON OR CAST IRON EXTRA HEAVY OR APPROVED EQUAL.

NOTES:

- ALL APPROVED BUILDING LATERAL SEWER PIPE MATERIAL FOR EACH CONNECTION MADE SHALL BE CONSTRUCTED FROM THE SAME MATERIAL.
- MINIMUM HORIZONTAL SEPARATION BETWEEN SPUR CAP AND SIDEWALK SHALL BE 2'-0". IN ALL CASES THE SPUR CAP LOCATION SHALL EXTEND A MINIMUM HORIZONTAL DISTANCE OF 2'-0" ONTO ALL BUILDING LOT PROPERTIES.
- TRANSITION BETWEEN DIFFERENT PIPE MATERIAL (AS APPROVED) SHALL BE MADE BY INSTALLING A TYPE 1, STYLE 62 DRESSER COUPLING OR DRESSER STYLE 262 HYMAX COUPLING (OR APPROVED EQUAL).
- WYE BRANCH CONNECTION SHALL BE A FITTING CONSTRUCTED SPECIFICALLY FOR THE INSTALLED MAIN LINE SEWER MATERIAL CLASS (OR APPROVED EQUAL).
- THE BUILDING LATERAL SEWER SHOWN FROM THE MAIN LINE SOURCE WYE BRANCH CONNECTION FITTING TO THE SPUR CAP SHALL MEET THE SPECIFICATIONS SHOWN FOR ii) BUILDING LATERAL SEWER.
- 4" BUILDING LATERAL SEWER MAY BE APPROVED FOR CONSTRUCTION OF SINGLE (1) AND TWO (2) FAMILY DWELLINGS ONLY. ALL OTHER BUILDING LATERAL SEWERS (INCLUDING ALL COMMERCIAL USES) SHALL BE 6" IN DIAMETER.
- EACH 6" BUILDING LATERAL SEWER SHALL PROVIDE SERVICE FOR NO MORE THAN TWELVE (12) EQUIVALENT LIVING UNITS, AS DETERMINED BY OCSO NO. 1, UNLESS A REQUESTED DEVIATION IS APPROVED IN WRITING BY OCSO NO.1.



WATER & SEWER CROSSING DETAIL
NOT TO SCALE



WATER & SEWER HORIZONTAL SEPARATION
NOT TO SCALE

SEWER & WATER SEPARATION NOTES

- WHEN IT IS IMPOSSIBLE TO MAINTAIN PROPER HORIZONTAL OR VERTICAL SEPARATION AS SHOWN, THE SEWER SHALL BE DESIGNED AND CONSTRUCTED EQUAL TO THE WATER MAIN, AND SHALL BE PRESSURE TESTED TO ASSURE WATER TIGHTNESS PRIOR TO BACKFILLING.
- A FULL LENGTH OF BOTH PIPES CROSSING MUST BE CENTERED AT THE CROSSING.
- BEDDING MATERIAL SHALL BE INCREASED TO 12" BELOW THE LENGTH OF WATER MAIN PIPE FOR 10' ON EITHER SIDE OF THE CROSSING.
- TWO LAYERS OF CAUTION TRACER TAPE SHALL BE PLACED 18" MINIMUM ABOVE STORM SEWER MAINS.

NOTES

- SEPARATION DISTANCE BETWEEN WATER MAINS AND STORM/SEWER MAINS SHALL BE 10' HORIZONTAL AND 18" AT CROSSINGS. THESE SEPARATION DISTANCES MUST BE MAINTAINED UNLESS SPECIFICALLY SHOWN AND INDICATED OTHERWISE ON THE PLANS. THE PREFERRED CROSSING OPTION IS FOR THE WATER MAIN TO BE CONSTRUCTED ABOVE STORM/SEWER MAINS.
- SEWER MAIN INCLUDES SEWER LATERALS AND STORM DRAIN.
- WATER MAIN INCLUDES WATER SERVICE LATERALS.
- DEFLECT WATER MAIN IN AN ARC BENEATH THE SEWER/STORM LINE. DO NOT USE FITTINGS TO DEFLECT THE WATER MAIN.

WATER OVER SEWER SEPARATION NOTES

- FULL LENGTH OF BOTH PIPES CROSSING MUST BE CENTERED AT THE CROSSING SO THAT PIPE JOINTS WILL BE AS FAR FROM EACH OTHER AS POSSIBLE (10' MIN.).
- CONTRACTOR SHALL PROVIDE STRUCTURAL SUPPORT FOR EXISTING WATER MAIN OVER THE ENTIRE TRENCH WIDTH TO PREVENT DAMAGE TO THE WATER MAIN.
- WATER TIGHT JOINTS WHERE WATERLINES ARE CROSSED ABOVE OR BELOW.

TREE CLEARING NOTE:
NO TREE REMOVAL SHALL BE REMOVED FROM APRIL 1st TO OCTOBER 31st TO MITIGATE POTENTIAL HARMFUL IMPACTS TO INDIANA BAT.

REV.	BY	DATE	DESCRIPTION
1	MM	11-05-24	REVISED BUILDING FOOTPRINT

THIS SHEET IS NOT VALID WITHOUT ALL OF THE SHEETS THAT COMPRISE THE SET

ARDEN CONSULTING ENGINEERS, PLLC
P.O. BOX 340 MONROE, N.Y.
TEL: (845) 782-8114
WWW.ARDENCONSULTING.NET

SITE PLAN PREPARED FOR
32 VIRGINIA
VILLAGE OF SOUTH BLOOMING GROVE
ORANGE COUNTY, NEW YORK

SANITARY DETAILS

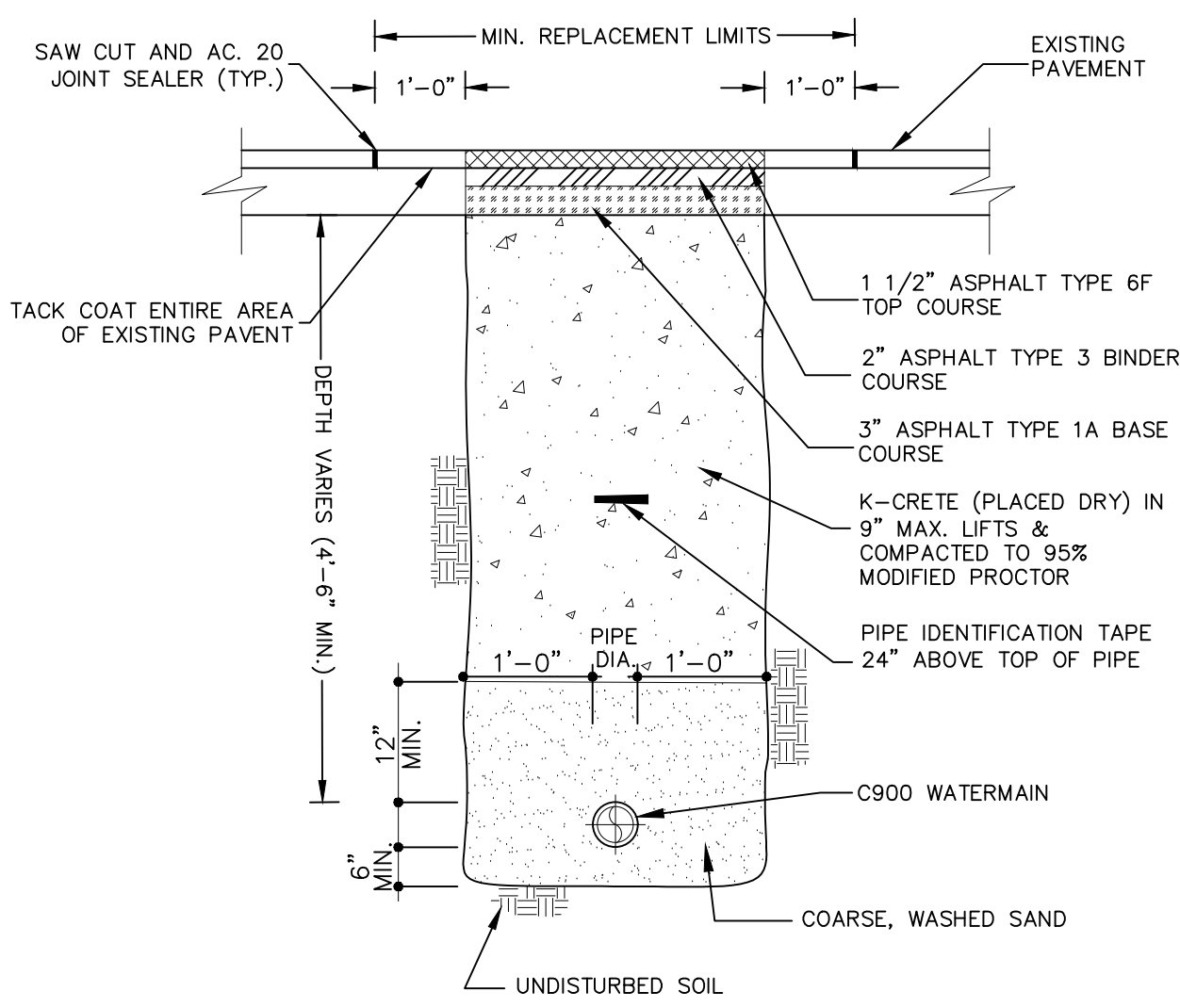
JOB#: 24-032
SCALE: AS NOTED
DATE: 08-26-24
DRAWN: MM
CHECKED: MM
SHEET NO. 08 of 11

MICHAEL A. MORGANTE, P.E.
LIC. NO. 78577

WARNING- IT IS A VIOLATION OF NEW YORK EDUCATIONAL LAW, SECTION 7209.2, FOR ANY PERSON, UNLESS ACTING UNDER THE DIRECTION OF A LICENSED PROFESSIONAL ENGINEER OR LAND SURVEYOR, TO ALTER THIS DOCUMENT IN ANY WAY. IF ALTERED, THE ALTERING PERSON SHALL COMPLY WITH THE REQUIREMENTS OF NEW YORK EDUCATIONAL LAW, SECTION 7209.2

ONLY MAPS WITH EMBOSSED SEALS ARE GENUINE COPIES OF THE ORIGINAL WORK AND OPINION. MAPS NOT BEARING EMBOSSED SEALS SHOULD NOT BE RELIED UPON SINCE OTHER THAN EMBOSSED-SEAL COPIES MAY CONTAIN UNAUTHORIZED AND UNDETECTABLE MODIFICATIONS, DELETIONS, ADDITIONS AND CHANGES.

Dig Safely. New York
Call 811
before you dig

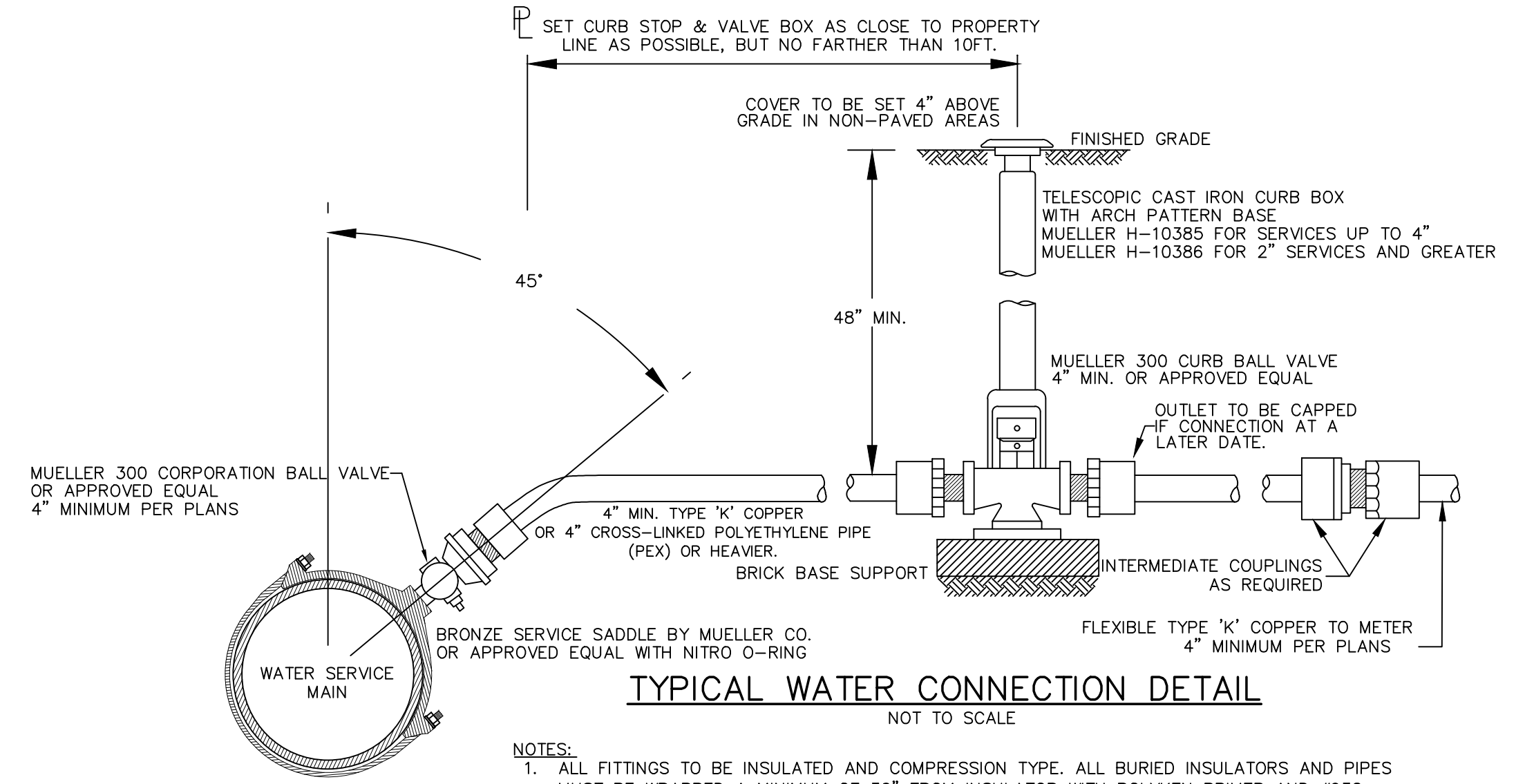


TYPICAL WATER SERVICE INSTALLATION/RESTORATION DETAIL IN VILLAGE STREET
NOT TO SCALE

NOTE:
1. PAVEMENT AND SUBBASE MATERIAL SHALL, AT A MINIMUM, MATCH THE EXISTING TYPES AND THICKNESSES FOUND WITHIN ANY TOWN, COUNTY OR STATE HIGHWAY, WHICHEVER IS GREATER.

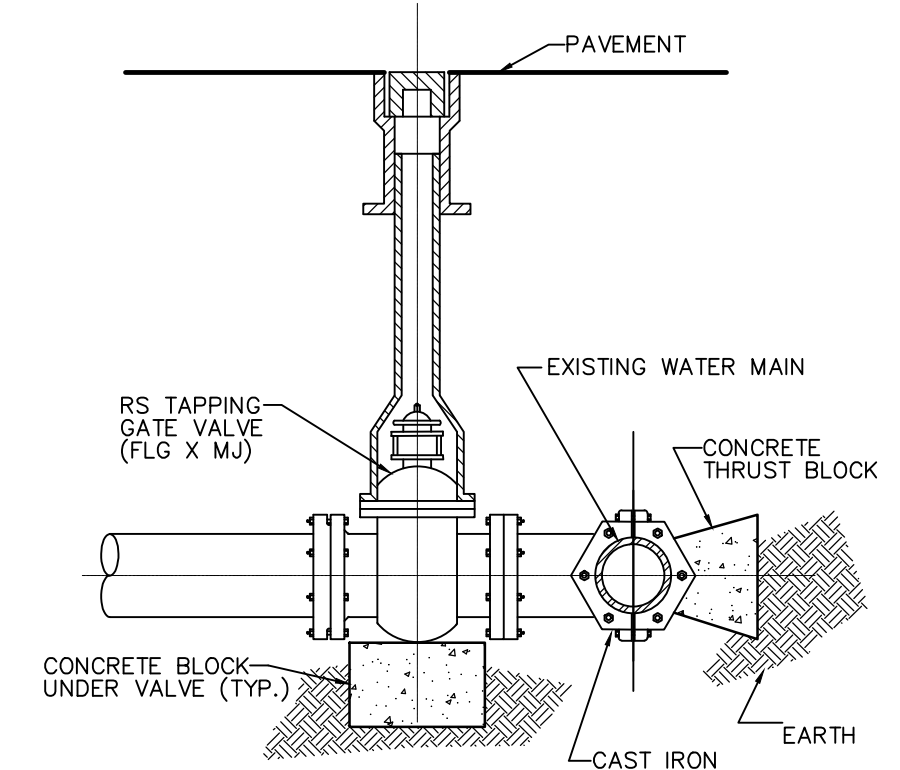
WATER NOTES

1. ALL WATER SYSTEM INSTALLATIONS SHALL BE IN ACCORDANCE WITH THE REQUIREMENTS OF THE VILLAGE OF SOUTH BLOOMING GROVE, THE ORANGE COUNTY DEPARTMENT OF HEALTH, THE LATEST AWWA STANDARDS, AND "RECOMMENDED STANDARDS FOR WATER WORKS" (2007-GLUMB).
2. DISINFECTION AND TESTING SHALL BE IN ACCORDANCE WITH AWWA C651.
3. PRESSURE AND LEAKAGE TESTING SHALL BE IN ACCORDANCE WITH AWWA C600, P. 6. SUPPLIERS RECORDS INDICATE ADEQUATE PRESSURE AND CAPACITY IS AVAILABLE.
4. ALL ELEVATIONS BASED ON TOPOGRAPHICAL INFORMATION PREPARED BY EDWARD T. GANNON, PLS.
5. AVAILABLE INFORMATION AS TO THE LOCATION OF EXISTING SUBSTRUCTURES AND UTILITIES HAS BEEN COLLECTED FROM VARIOUS SOURCES. THE RESULTS OF SUCH INVESTIGATIONS, AS MAY BE SHOWN ON THE CONTRACT DRAWINGS, ARE NOT GUARANTEED AS TO ACCURACY. ALL EXISTING UTILITIES ARE SHOWN FOR INFORMATION ONLY. THE CONTRACTOR SHALL DIG TEST PITS AS REQUIRED TO VERIFY TRUE AND EXACT LOCATIONS OF UNDERGROUND LINES.
6. ALL PROFILES INDICATE APPROXIMATE GROUND PROFILES.
7. THE CONTRACTOR SHALL NOTIFY ALL UTILITY COMPANIES, AND UDIG NY, A MINIMUM OF 72 HOURS PRIOR TO EXCAVATION, AND SHALL COMPLY WITH ALL CURRENT MARKOUT REQUIREMENTS OF DIG SAFELY NEW YORK.
8. EXCAVATIONS OR TRENCHING WITHIN CLOSE PROXIMITY TO UNDERGROUND FACILITIES OR UTILITY POLES WILL REQUIRE PROTECTION TO PREVENT DAMAGE OR INTERRUPTION OF SERVICE TO UNDERGROUND FACILITIES. THE COST TO PROVIDE THIS PROTECTION WILL BE BORNE BY THE CONTRACTOR.
9. THE CONTRACTOR SHALL BE RESPONSIBLE TO PROTECT EXISTING THRUST BLOCKS WHICH ARE RESTRAINING EXISTING UTILITIES. EXISTING THRUST BLOCKS SHALL NOT BE UNDERMINED.
10. ALL TRENCH LINES SHALL BE CUT OR MILLED.
11. THE CONTRACTOR SHALL COMPLY WITH ALL ROAD OPENING REQUIREMENTS AND ORDINANCES OF THE GOVERNING AGENCY.
12. RESTORATION, INCLUDING THE REMOVAL OF EXCESS EXCAVATED MATERIAL AND PLACEMENT OF TEMPORARY PAVEMENT, SHALL BE PERFORMED AND COMPLETED ON A DAILY BASIS. ALL ROADS SHALL BE PASSABLE TO VEHICULAR TRAFFIC AT THE END OF EACH WORK DAY.
13. ALL TRENCHES SHALL BE BACKFILLED WITHOUT DELAY. OPEN TRENCHES SHALL BE KEPT TO A MINIMUM OPEN TRENCHES SHALL BE STEEL PLATED UPON BACKFILLING THE CONTRACTOR SHALL BROOM SWEEP STREETS, USE APPROPRIATE METHODS TO CONTROL DUST AND HOSE DOWN THE PAVEMENT TO KEEP SURFACE CLEAN.
14. THE CONTRACTOR SHALL BE RESPONSIBLE FOR REMOVAL AND DISPOSAL OF ALL EXCESS EXCAVATED MATERIAL TO AN OFF-SITE LOCATION.
15. THE CONTRACTOR SHALL FURNISH AND INSTALL CORPORATIONS WHEREVER NECESSARY FOR PRESSURE TESTING AND DISINFECTING THE WATER SERVICE LINE. CORPORATIONS SHALL BE 3/4" FOR MAINS SMALLER THAN 16" AND 1" FOR MAINS 16" AND LARGER. THE CONTRACTOR SHALL INSTALL AS MANY CORPORATIONS AS ARE REQUIRED FOR PROPER TESTING, FLUSHING, AIR BLEEDING AND DISINFECTION.
16. TO MAINTAIN THE HORIZONTAL AND VERTICAL ALIGNMENT SHOWN ON THE PLANS, PIPE JOINTS MAY BE DEFLECTED IN ACCORDANCE WITH THE MANUFACTURER'S INSTRUCTIONS, UNLESS THE SPECIFICATIONS INDICATE A MORE STRINGENT REQUIREMENT. IF NECESSARY, EITHER TO MAINTAIN THE ALIGNMENT SHOWN OR TO ADJUST THE ALIGNMENT TO MEET ACTUAL FIELD CONDITIONS, ADDITIONAL FITTINGS SHALL BE INSTALLED AS REQUIRED.
17. ALL STATIONING SHOWN ON PLANS IS APPROXIMATE.
18. ALL CONSTRUCTION ACTIVITIES ARE TO BE CONFINED TO THE PUBLIC RIGHT-OF-WAY OR TO THE LIMITS DEPICTED ON THE CONTRACT DRAWINGS.
19. THE WATER MAIN SHALL BE INSTALLED WITH A MINIMUM OF FOUR AND ONE HALF (4.5) FEET OF COVER. ANY DEVIATION FROM THIS WILL REQUIRE AUTHORIZATION FROM THE VILLAGE OF SOUTH BLOOMING GROVE ENGINEER.
20. THE CONTRACTOR SHALL TAKE STEPS NECESSARY TO PRESERVE EXISTING CURB AND MINIMIZE THE LENGTH OF CURBING THAT MUST BE REPLACED.
21. THE CONTRACTOR IS CAUTIONED THAT ALL SANITARY LATERALS AND UTILITY SERVICES HAVE NOT BEEN LOCATED. WHEN THE CONTRACTOR ENCOUNTERS AN OBSTRUCTION AND CANNOT ADJUST THE ALIGNMENT USING ALLOWABLE JOINT DEFLECTION, THE CONTRACTOR SHALL REFER TO THE WATER MAIN DETAIL SHEETS. THE CONTRACTOR WILL BE RESPONSIBLE FOR THE PROMPT REPAIR OF DAMAGED UTILITIES, AND SHALL RESTORE THE SITES AS NEATLY AS POSSIBLE TO THEIR ORIGINAL CONDITION.
22. THE CONTRACTOR SHALL PROTECT ALL STRUCTURES, ROADS, PIPELINES, TREES, SHRUBBERY, GRASS AREAS, ETC. DURING THE PROGRESS OF THE WORK AND SHALL REMOVE DAILY FROM THE SITE ALL DEBRIS AND UNUSED MATERIALS. UPON COMPLETION OF THE WORK, THE CONTRACTOR SHALL RESTORE THE SITES AS NEATLY AS POSSIBLE TO THEIR ORIGINAL CONDITION.
23. ALL SIDEWALK AREAS SHALL BE PASSABLE AND BROOM SWEEP AT THE END OF EACH WORK DAY.
24. DURING FLUSHING AND PRESSURE TESTING OF THE MAIN, THE VILLAGE OF SOUTH BLOOMING GROVE SHALL OPERATE ALL VALVES.
25. REFER TO DETAIL SHEET FOR STANDARD DETAILS.

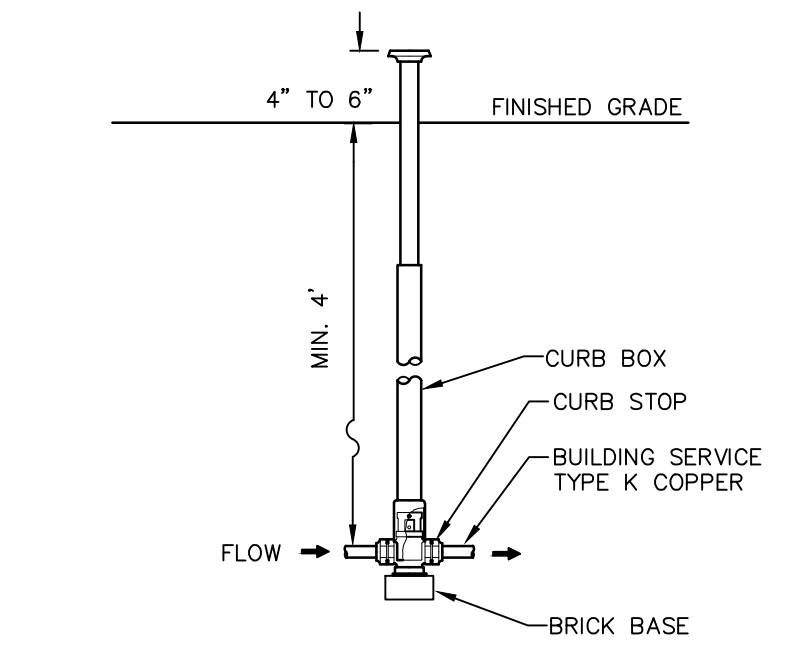


TYPICAL WATER CONNECTION DETAIL
NOT TO SCALE

- NOTES:
1. ALL FITTINGS TO BE INSULATED AND COMPRESSION TYPE. ALL BURIED INSULATORS AND PIPES MUST BE WRAPPED A MINIMUM OF 3/8" FROM INSULATOR WITH POLYKEN PRIMER AND #932 HI-TACK JOINT WRAP TAPE OR APPROVED EQUAL.
 2. PROVIDE A TYPICAL HORIZONTAL "S" CURVE BETWEEN THE CORPORATION STOP AND CURB STOP.

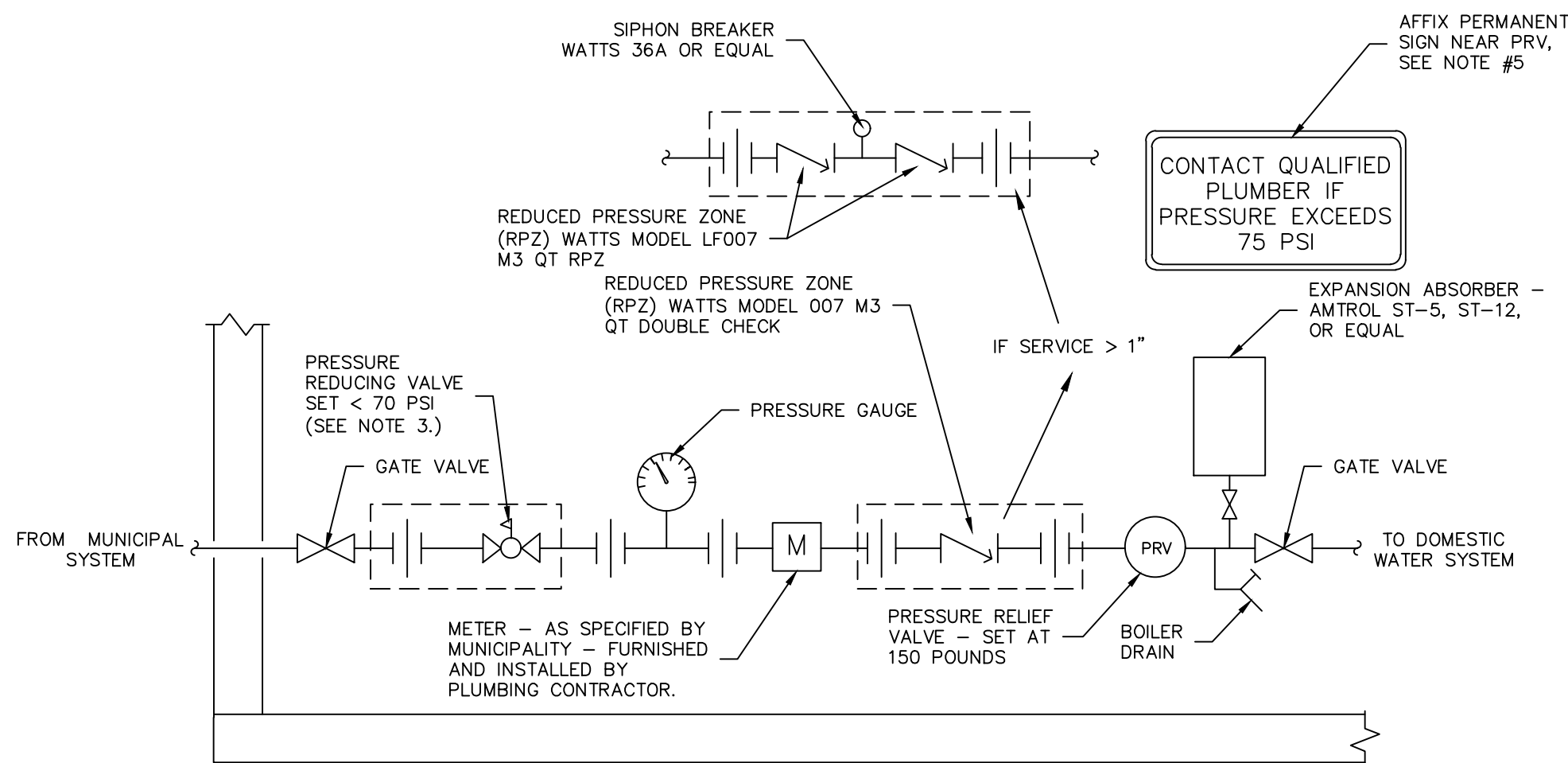


WET TAP DETAIL
NOT TO SCALE



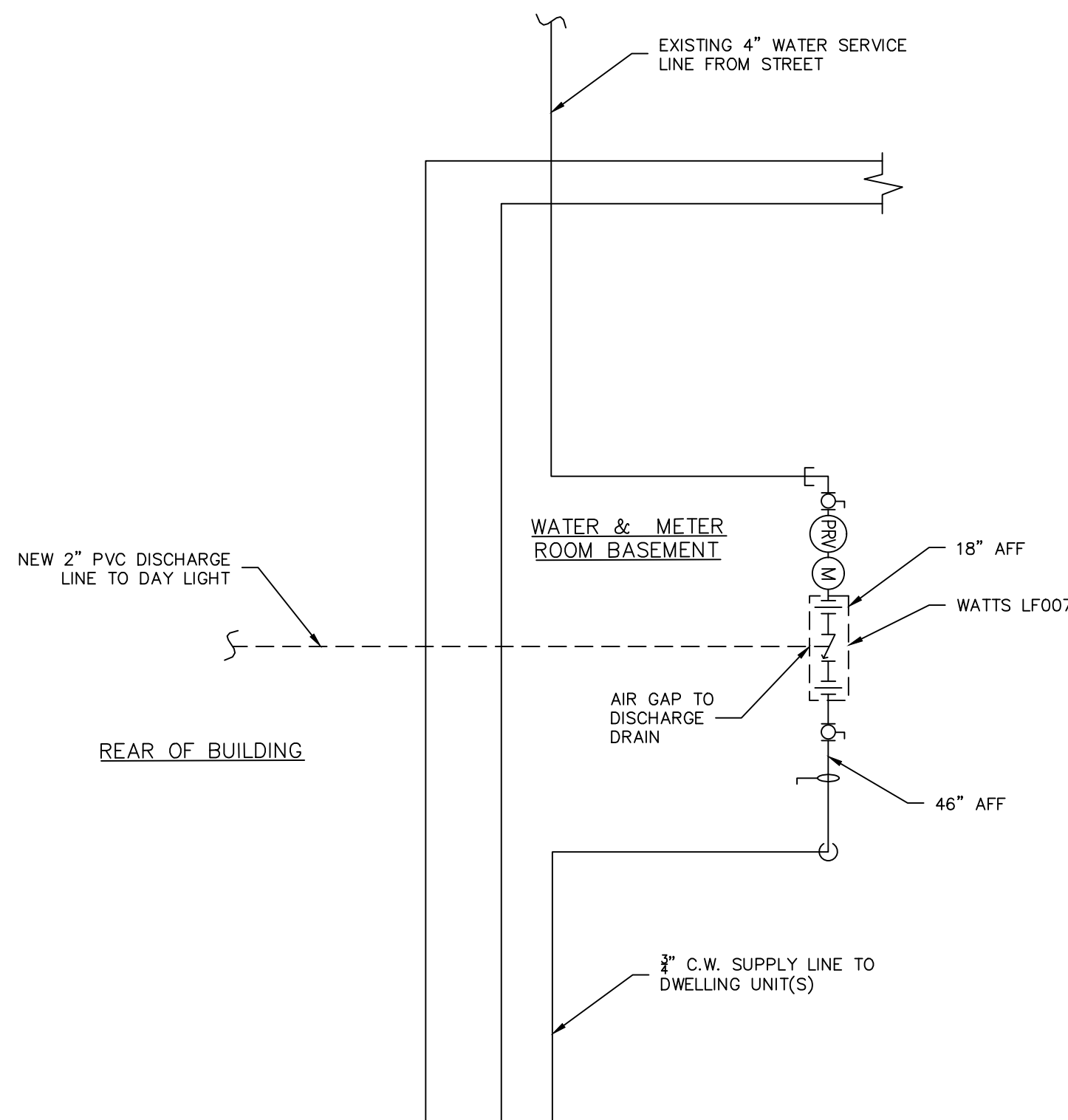
CURB STOP DETAIL
NOT TO SCALE

TREE CLEARING NOTE:
NO TREE REMOVAL SHALL BE REMOVED FROM APRIL 1st TO OCTOBER 31st TO MITIGATE POTENTIAL HARMFUL IMPACTS TO INDIANA BAT.

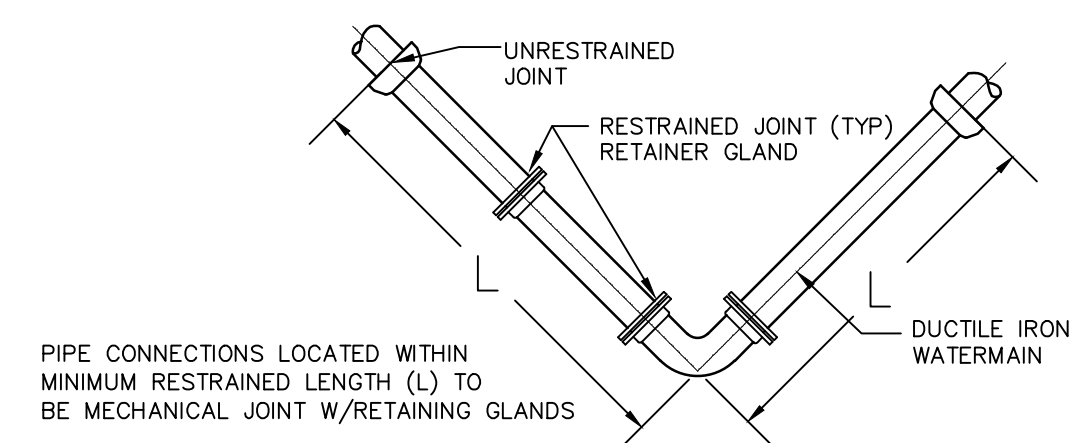


- NOTES:
1. PLUMBING CONTRACTOR SHALL TEST ALL COMPONENTS AND RUN A MINIMUM OF 100 GALLONS THROUGH SYSTEM BEFORE FINAL INSPECTION.
 2. ENTIRE INSTALLATION TO CONFORM TO MUNICIPALITY'S REQUIREMENTS.
 3. REQUIRED ONLY WHERE MUNICIPAL SYSTEM PRESSURE EXCEEDS 70 PSI.
 4. PLUMBING CONTRACTOR SHALL INSTALL A TELEPHONE JACK AS CLOSE TO METER AS POSSIBLE, AND WIRE TO ITB.
 5. SIGN SHALL READ "CONTACT QUALIFIED PLUMBER IF PRESSURE EXCEEDS 75 PSI"

TYPICAL BACKFLOW PREVENTION SYSTEM PROFILE
NOT TO SCALE



TYPICAL BACKFLOW PREVENTION SYSTEM PLAN
NOT TO SCALE



NOMINAL PIPE SIZE (IN)	BURY DEPTH (FT)	INTERNAL PRESSURE (PSI)	SOIL DESIGNATION	LAYING CONDITION (*)	RESTRAINED LENGTH (FT) = L (**)				
					DEAD END	90° BEND	45° BEND	22 1/2° BEND	1 1/4° BEND
6	4.5	150	SAND SILT	5	38	17	7	4	2
8	4.5	150	SAND SILT	5	50	21	16	5	3

(*) LAYING CONDITION TYPE AS DESCRIBED IN STANDARD ANSI/AWWA C150/A21.50
(**) RESTRAINED LENGTH AS PER "THRUST RESTRAINT DESIGN FOR DUCTILE IRON PIPE", LATEST EDITION, DUCTILE IRON PIPE RESEARCH ASSOCIATION

WATER JOINT RESTRAINT DETAIL
NOT TO SCALE

REV.	BY	DATE	DESCRIPTION
1	MM	11-05-24	REVISED BUILDING FOOTPRINT

THIS SHEET IS NOT VALID WITHOUT ALL OF THE SHEETS THAT COMPRISE THE SET

ARDEN CONSULTING ENGINEERS, PLLC
P.O. BOX 340 MONROE, N.Y.
TEL: (845) 782-8114
WWW.ARDENCONSULTING.NET

SITE PLAN PREPARED FOR
32 VIRGINIA
VILLAGE OF SOUTH BLOOMING GROVE
ORANGE COUNTY, NEW YORK

WATER SUPPLY DETAILS

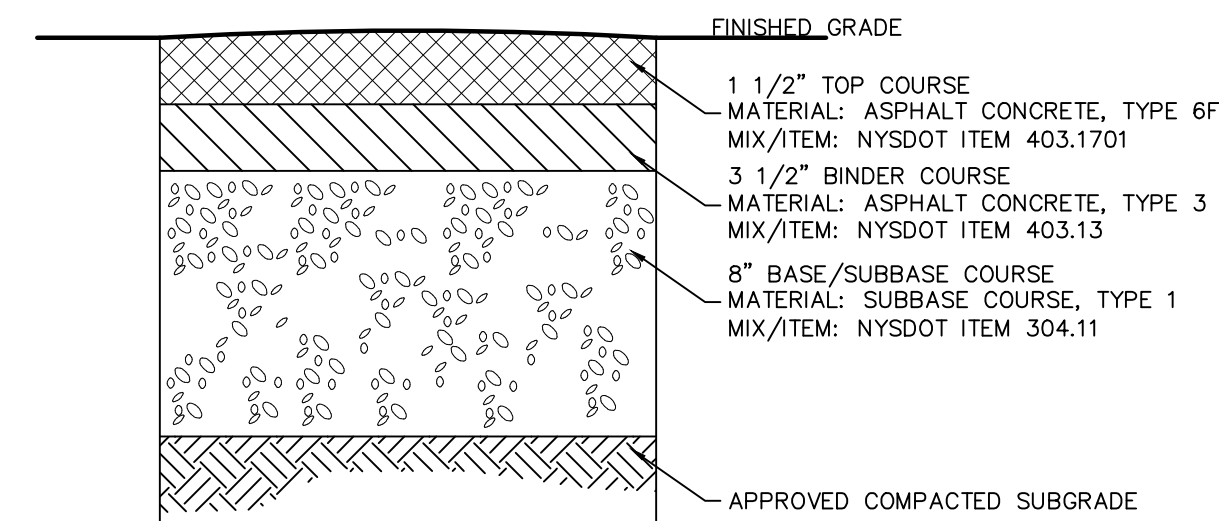
JOB#: 24-032
SCALE: AS NOTED
DATE: 08-26-24
DRAWN: MM
CHECKED: MM
SHEET NO. 09 of 11

MICHAEL A. MORGANTE, P.E.
LIC. NO. 78577

WARNING- IT IS A VIOLATION OF NEW YORK EDUCATIONAL LAW, SECTION 7209.2, FOR ANY PERSON, UNLESS ACTING UNDER THE DIRECTION OF A LICENSED PROFESSIONAL ENGINEER OR LAND SURVEYOR, TO ALTER THIS DOCUMENT IN ANY WAY. IF ALTERED, THE ALTERING PERSON SHALL COMPLY WITH THE REQUIREMENTS OF NEW YORK EDUCATIONAL LAW, SECTION 7209.2

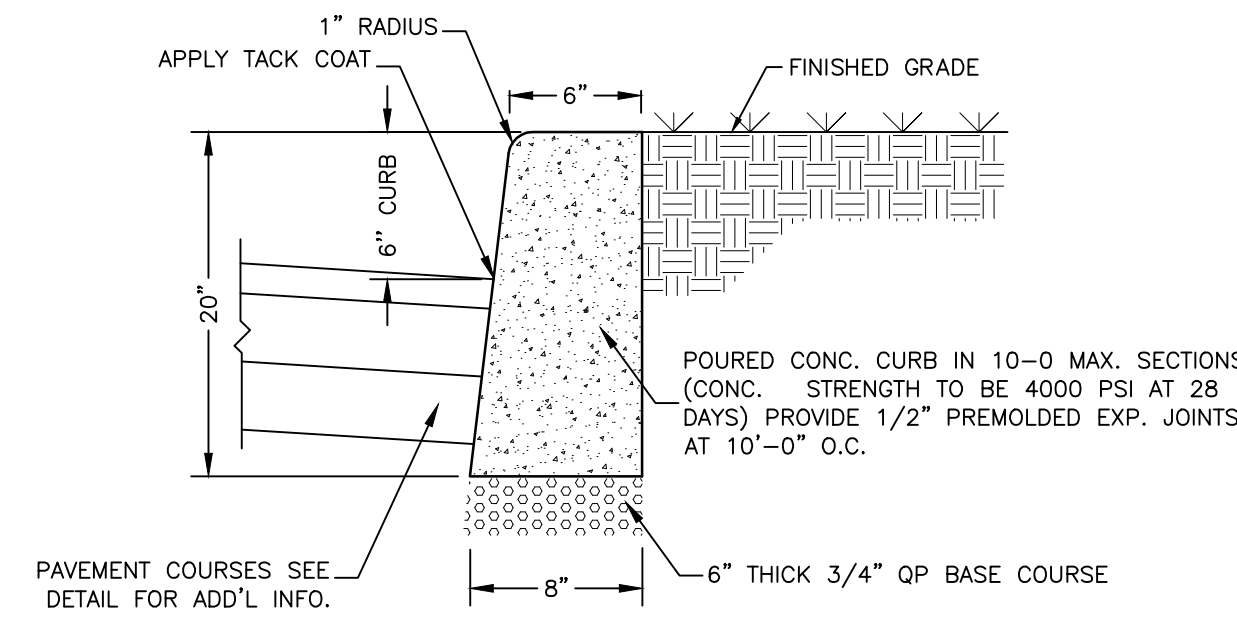
ONLY MAPS WITH EMBOSSED SEALS ARE GENUINE COPIES OF THE ORIGINAL WORK AND OPINION. MAPS NOT BEARING EMBOSSED SEALS SHOULD NOT BE RELIED UPON SINCE OTHER THAN EMBOSSED-SEAL COPIES MAY CONTAIN UNAUTHORIZED AND UNDETECTABLE MODIFICATIONS, DELETIONS, ADDITIONS AND CHANGES.



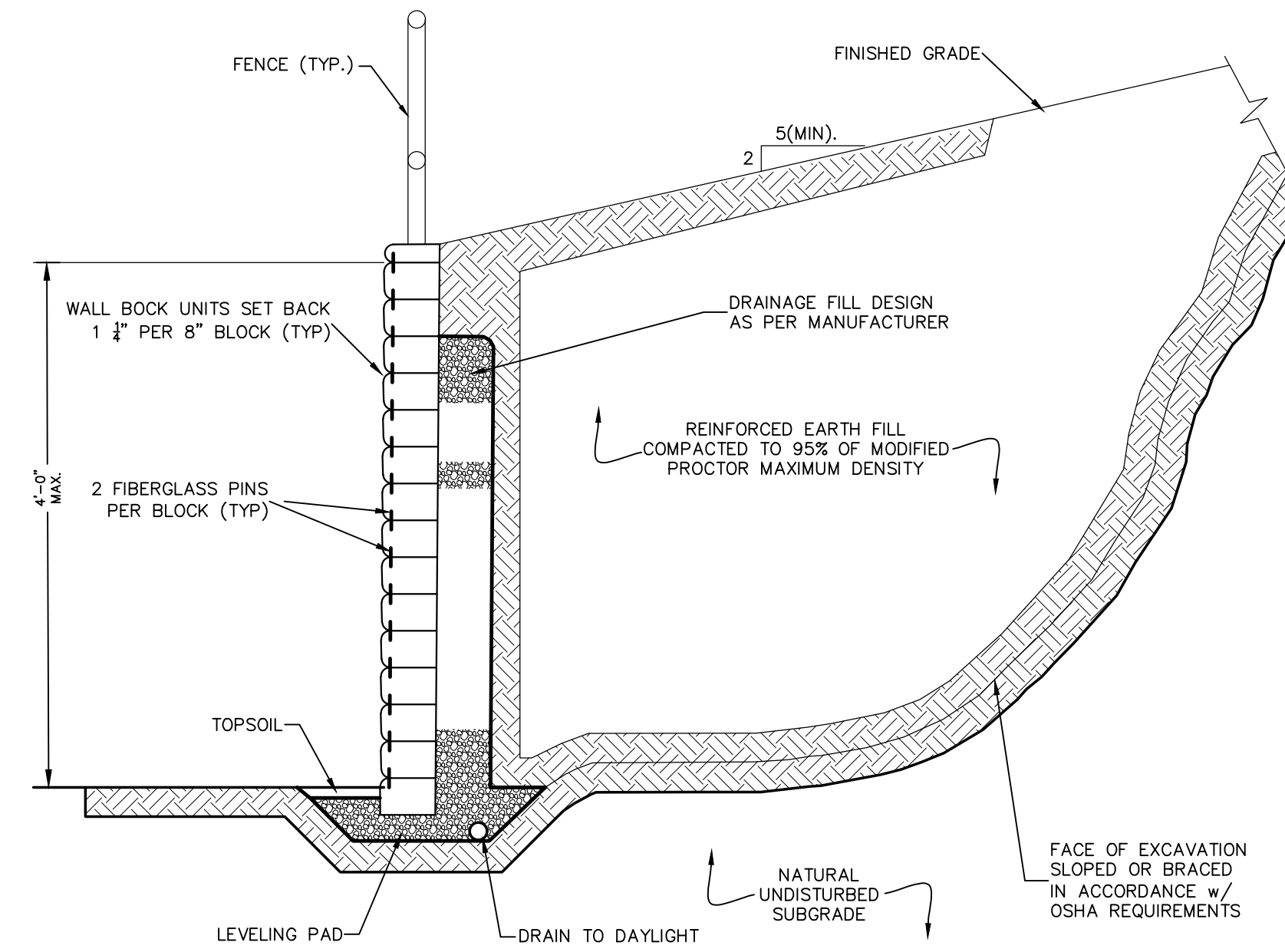


- NOTES:**
1. MATERIALS AND METHODS OF CONSTRUCTION SHALL BE IN CONFORMANCE WITH THE NEW YORK STATE DEPARTMENT OF TRANSPORTATION (NYS DOT) STANDARD SPECIFICATIONS FOR CONSTRUCTION AND MATERIALS, LATEST EDITION, AND ALL ADDENDA THERETO.
 2. SUBBASE MATERIAL SHALL CONFORM WITH SECTION 304 - SUBBASE COURSE OF THE ABOVE REFERENCED NYS DOT STANDARD SPECIFICATIONS AND THE TYPE CALLED OUT IN THESE DRAWINGS.
 3. HOT MIX ASPHALT (HMA) PAVEMENT SHALL CONFORM WITH SECTION 400 HOT MIX ASPHALT OF THE ABOVE REFERENCED NYS DOT STANDARD SPECIFICATIONS AND THE TYPE CALLED OUT IN THESE DRAWINGS. ALTHOUGH SECTION 400 IN ITS ENTIRETY IS REFERENCED, THE HOT MIX ASPHALT (HMA) PAVEMENT(S) SPECIFIED FOR TL-US CONTRACT SHALL BE AS SPECIFIED UNDER SECTION 402-HOT MIX ASPHALT (HMA) PAVEMENTS.
 4. TACK COAT SPECIFIED OR CALLED OUT IN THESE DRAWINGS OR REQUIRED BY THE REFERENCED SPECIFICATIONS SHALL CONFORM WITH SECTION 407-TACK COAT OF THE ABOVE REFERENCED NYS DOT STANDARD SPECIFICATIONS.
 5. WHERE IT IS NECESSARY TO PLACE FILL FOR PURPOSES OF BRINGING THE SUBGRADE ELEVATION UP TO A SPECIFIED GRADE, THE FILL MATERIAL PLACED SHALL BE IN CONFORMANCE WITH SECTION 203-EXCAVATION AND EMBANKMENT OF THE ABOVE REFERENCED NYS DOT STANDARD SPECIFICATIONS.
 6. THICKNESS INDICATED REFER TO COMPACTED MEASURE.

TYPICAL ASPHALT DETAIL FOR DRIVEWAY & PARKING AREAS
NOT TO SCALE

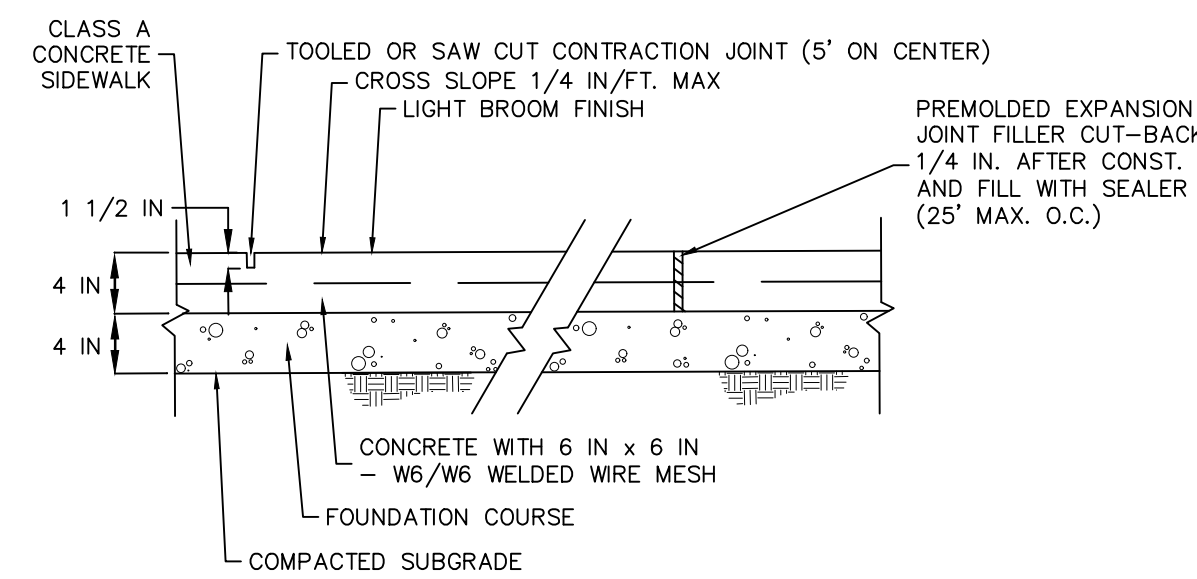


CONCRETE CURB DETAIL
NOT TO SCALE

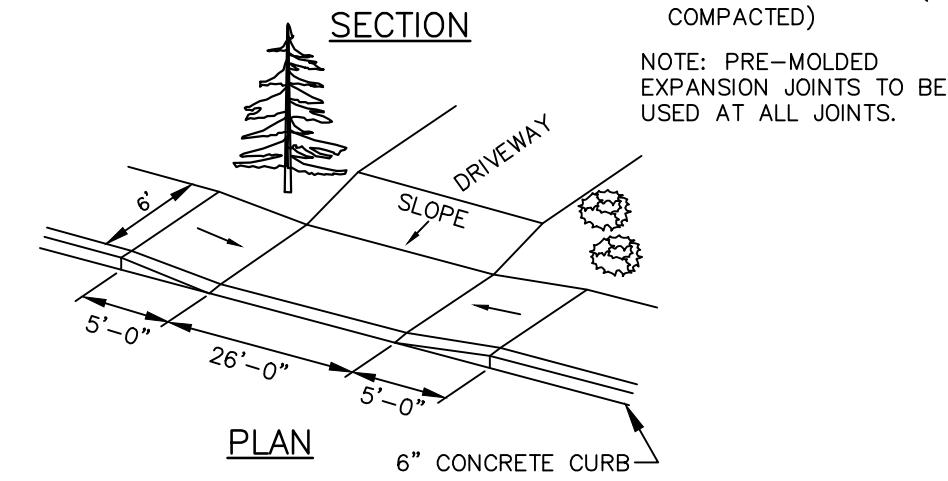
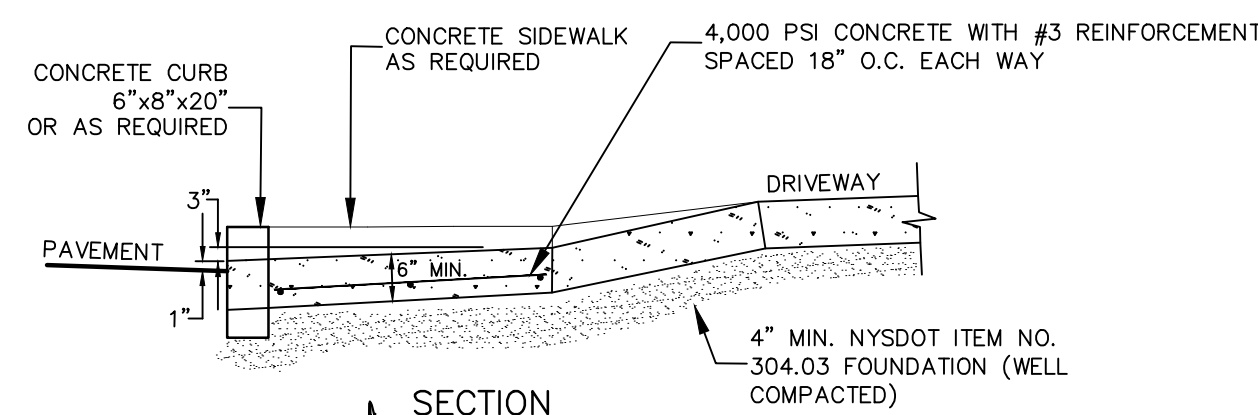


- NOTES:**
1. PROPOSED KEYSTONE KS HALF CENTURY RETAINING WALL SHALL BE DESIGNED AS PER THE MANUFACTURER.
 2. FENCING SHALL BE INSTALLED AS SHOWN ON THE PLANS, IN ACCORDANCE WITH MANUFACTURER'S RECOMMENDATIONS.
 3. WHERE RETAINING WALLS EXCEED 4' IN HEIGHT
 4. FOR WALLS OVER 4'-0" HEIGHT SEE SPECIFIC ENGINEERED WALL DETAILS PREPARED BY OTHERS.

TYPICAL MSE RETAINING WALL
NOT TO SCALE

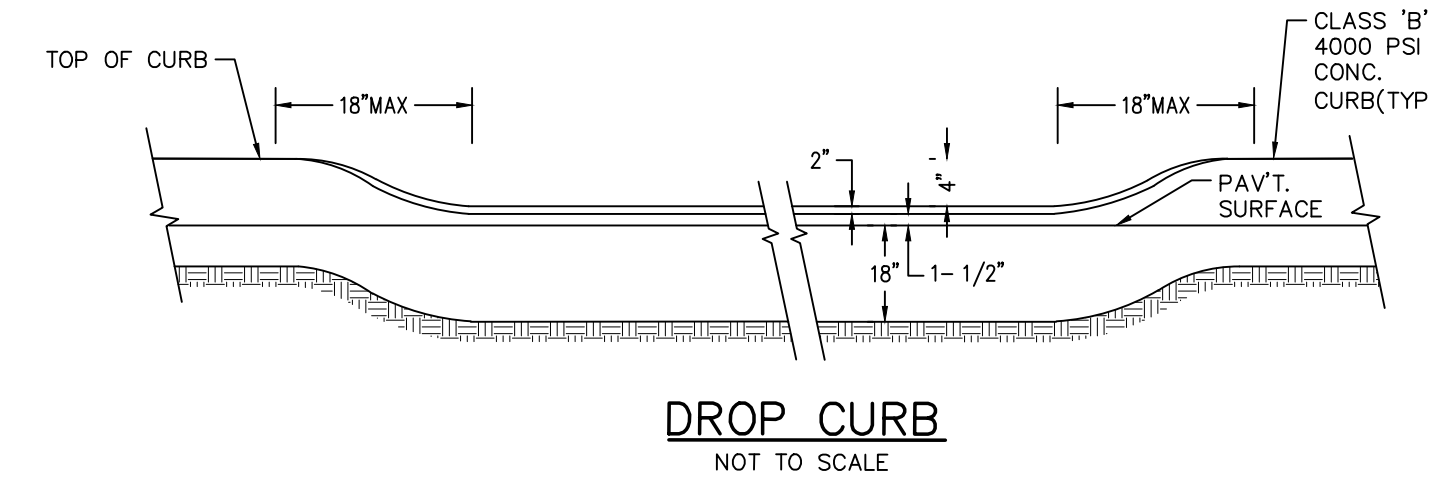


TYPICAL SIDEWALK SECTION
NOT TO SCALE



DRIVEWAY ENTRANCE DETAIL
NOT TO SCALE

NOTE: SEE PLAN SHEET FOR ACTUAL SIDEWALK & DRIVEWAY WIDTH



DROP CURB
NOT TO SCALE

TREE CLEARING NOTE:
NO TREE REMOVAL SHALL BE REMOVED FROM APRIL 1st TO OCTOBER 31st TO MITIGATE POTENTIAL HARMFUL IMPACTS TO INDIANA BAT.

REV.	BY	DATE	DESCRIPTION
1	MM	11-05-24	REVISED BUILDING FOOTPRINT

THIS SHEET IS NOT VALID WITHOUT ALL OF THE SHEETS THAT COMPRISE THE SET

ARDEN CONSULTING ENGINEERS, PLLC
P.O. BOX 340 MONROE, N.Y.
TEL: (845) 782-8114
WWW.ARDENCONSULTING.NET

SITE PLAN PREPARED FOR
32 VIRGINIA
VILLAGE OF SOUTH BLOOMING GROVE
ORANGE COUNTY, NEW YORK

CONSTRUCTION DETAILS

JOB#: 24-032
SCALE: AS NOTED
DATE: 08-26-24
DRAWN: MM
CHECKED: MM
SHEET NO: 10 of 11

MICHAEL A. MORGANTE, P.E.
LIC. NO. 78577

COPYRIGHT 2024, ARDEN CONSULTING ENGINEERS, P.L.L.C. - ALL RIGHTS RESERVED

WARNING- IT IS A VIOLATION OF NEW YORK EDUCATIONAL LAW, SECTION 7209.2, FOR ANY PERSON, UNLESS ACTING UNDER THE DIRECTION OF A LICENSED PROFESSIONAL ENGINEER OR LAND SURVEYOR, TO ALTER THIS DOCUMENT IN ANY WAY. IF ALTERED, THE ALTERING PERSON SHALL COMPLY WITH THE REQUIREMENTS OF NEW YORK EDUCATIONAL LAW, SECTION 7209.2

Dig Safely. New York
Call 811
before you dig

EXISTING CONDITIONS & SURVEY NOTES:

- 1. SURVEYED WITHOUT THE BENEFIT OF A TITLE SEARCH, SUBJECT TO COVENANTS, EASEMENTS, RESTRICTIONS, CONDITIONS AND AGREEMENTS OF RECORD.
2. CERTIFICATIONS INDICATED HEREON SIGNIFY THAT THIS SURVEY WAS PREPARED IN ACCORDANCE WITH THE EXISTING CODE OF PRACTICE FOR PROFESSIONAL LAND SURVEYORS AS ADOPTED BY THE NEW YORK STATE ASSOCIATION OF PROFESSIONAL LAND SURVEYORS. SAID CERTIFICATIONS SHALL RUN ONLY TO THE PERSON SO NOTED.
3. CERTIFICATIONS ARE NOT TRANSFERABLE TO ADDITIONAL INSTITUTIONS, THEIR SUCCESSORS AND/OR ASSIGNS, OR SUBSEQUENT OWNERS.
4. SURFACE STRUCTURES NOT VISIBLE OR READILY APPARENT ARE NOT SHOWN AND THEIR LOCATION AND EXTENT ARE NOT CERTIFIED. THE LOCATION OF UNDERGROUND IMPROVEMENTS OR ENCROACHMENTS ARE NOT ALWAYS KNOWN AND OFTEN MUST BE ESTIMATED. IF ANY UNDERGROUND IMPROVEMENTS OR ENCROACHMENTS EXIST OR ARE SHOWN, THE IMPROVEMENTS OR ENCROACHMENTS ARE NOT COVERED BY THIS CERTIFICATE.
5. THE CONTRACTOR SHALL COMPLY WITH NEW YORK STATE INDUSTRIAL CODE RULE 753 - 48 HOURS PRIOR TO DIGGING CALL UDIG NY TO HAVE PUBLIC UTILITY LOCATIONS PAINTED. ONLY TITLE SURVEYS BEARING THE MAKERS EMBOSSED SEAL SHOULD BE RELIED UPON SINCE OTHER THAN EMBOSSED-SEAL COPIES MAY CONTAIN UNAUTHORIZED AND UNDETECTABLE MODIFICATIONS, DELETIONS, ADDITIONS, AND CHANGES.
7. BOUNDARY LINES SHOWN HEREON ARE APPROXIMATE AND ARE SUBJECT TO WHATEVER STATE OF FACTS THAT AN ACCURATE BOUNDARY SURVEY MAY REVEAL.

GRADING NOTES:

- 1. PRIOR TO SITE DISTURBANCE, CONTRACTOR TO INSTALL EROSION & SEDIMENT CONTROL MEASURES.
2. IF ROCK IS ENCOUNTERED DURING CONSTRUCTION & REMOVAL BY BLASTING IS REQUIRED, THE CONTRACTOR SHALL OBTAIN ALL NECESSARY APPROVALS AND PERMITS REQUIRED BY THE AUTHORITY HAVING JURISDICTION.
3. ALL BLASTING OPERATIONS WILL ADHERE TO NEW YORK STATE AND LOCAL AUTHORITY ORDINANCES GOVERNING THE USE OF EXPLOSIVES. THE STATE REGULATIONS ARE CONTAINED IN 12 NYCRR 39 AND INDUSTRIAL CODE RULE 753.
4. STRIP ALL TOPSOIL PRIOR TO COMMENCING EARTHWORK OPERATIONS. TOPSOIL MAY BE STORED AND REUSED IN LAWN AND PLANTING AREAS ONLY. TOPSOIL AND SEED ALL AREAS DISTURBED BY CONSTRUCTION THAT ARE TO REMAIN GREEN.
5. BOX ALL TREES AND HOUSE ALL SHRUBS AND HEDGES BEFORE PLACING EARTH AGAINST OR NEAR THEM. ORNAMENTAL TREES, SHRUBS AND HEDGES WHICH MUST BE REMOVED DURING CONSTRUCTION SHALL BE HEALED IN AND RE-PLANTED IN AS GOOD A CONDITION AS THEY WERE BEFORE THEIR REMOVAL. ANY DAMAGED TREES, SHRUBS, AND/OR HEDGES SHALL BE REPLACED AT THE CONTRACTOR'S EXPENSE.
6. ALL EARTHWORK SHALL BE SMOOTHLY AND EVENLY BLENDED INTO EXISTING CONDITIONS. NO WORK, STORAGE OR TRESPASS SHALL BE PERMITTED BEYOND THE BOUNDARIES OF ANY EASEMENT OR PROPERTY LINE.
7. REMOVE ALL VEGETATION, TREES, STUMPS, GRASSES, ORGANIC SOILS, DEBRIS AND DELETERIOUS MATERIALS WITHIN THE AREAS SLATED FOR CONSTRUCTION.
8. IF PREVIOUSLY UNKNOWN CULTURAL ARCHEOLOGICAL, OR HISTORIC REMAINS OR ARTIFACTS ARE DISCOVERED IN THE COURSE OF CONSTRUCTION OF THIS PROJECT, THE PROJECT SPONSORS SHALL SUSPEND CONSTRUCTION OPERATIONS IN THE PERTINENT AREA AND SHALL NOTIFY THE PROJECT ENGINEER.

DEMOLITION NOTES:

- 1. REFER TO REQUIREMENTS OUTLINED IN THE EROSION & SEDIMENTS CONTROL PLANS & NOTICES PRIOR TO COMMENCEMENT OF WORK.
2. EXISTING STRUCTURES ARE TO BE REMOVED PRIOR TO CONSTRUCTION OF NEW IMPROVEMENTS.
3. BUILDING(S)/STRUCTURE(S) TO BE DEMOLISHED ARE SHOWN FOR REFERENCE PURPOSES ONLY AND ARE NOT TO BE DEMOLISHED AS PART OF THIS WORK. PRIOR TO DEMOLISHING ANY BUILDINGS/STRUCTURES, THE CONTRACTOR SHALL PERFORM A PRE-DEMOLITION SURVEY IN ACCORDANCE WITH STATE AND FEDERAL REGULATIONS GOVERNING THE DISPOSAL OF SOLID WASTE. THE CONTRACTOR SHALL OBTAIN ALL NECESSARY PERMITS AND APPROVALS BY THE AUTHORITY HAVING JURISDICTION.
4. CONFORM TO APPLICABLE CODE FOR DEMOLITION OF STRUCTURES, SAFETY OF ADJACENT STRUCTURES, DUST CONTROL RUNOFF CONTROL, AND HAULING, DISPOSAL AND STORAGE OF DEBRIS.
5. PROVIDE, ERECT, AND MAINTAIN TEMPORARY BARRIERS AND SECURITY DEVICES.
6. MAINTAIN EXISTING UTILITIES TO REMAIN IN SERVICE AND PROTECT THEM AGAINST DAMAGE DURING SELECTIVE DEMOLITION OPERATIONS. DO NOT INTERRUPT EXISTING UTILITIES SERVING OPERATING FACILITIES, EXCEPT WHEN AUTHORIZED IN WRITING BY OWNER AND AUTHORITIES HAVING JURISDICTION.
7. NOTIFY ADJACENT OWNERS OF WORK THAT MAY AFFECT THEIR PROPERTY, POTENTIAL NOISE, UTILITY OUTAGE OR DISRUPTION, COORDINATE WITH OWNER.
8. PREVENT MOVEMENT OR SETTLEMENT OF ADJACENT STRUCTURES. PROVIDE BRACING AND SHORING.
9. LOCATE AND IDENTIFY ALL EXISTING UTILITIES WITHIN THE CONSTRUCTION AREA. DISCONNECT AND SEAL OR CAP OFF UTILITY SERVICES THAT WILL BE AFFECTED BY THIS PROJECT. NOTIFY AFFECTED UTILITY COMPANIES BEFORE STARTING WORK AND COMPLY WITH THEIR REQUIREMENTS. VERIFY THAT UTILITIES HAVE BEEN DISCONNECTED AND CAPPED.
10. DEMOLISH AND REMOVE COMPONENTS IN AN ORDERLY AND CAREFUL MANNER.
11. PROTECT EXISTING FEATURES THAT ARE NOT TO BE DEMOLISHED.
12. CONDUCT OPERATIONS WITH MINIMUM INTERFERENCE TO PUBLIC OR PRIVATE ACCESSES.
13. MAINTAIN EGRESS AND ACCESS AT ALL TIMES. DO NOT CLOSE OR OBSTRUCT ROADWAYS, OR SIDEWALKS WITHOUT PERMITS. COORDINATE WITH AUTHORITY HAVING JURISDICTION.
14. CEASE OPERATIONS IMMEDIATELY IF ADJACENT STRUCTURES APPEAR TO BE IN DANGER. NOTIFY AUTHORITY HAVING JURISDICTION.
15. ROUGH GRADE AND COMPACT AREAS AFFECTED BY DEMOLITION TO MAINTAIN SITE GRADES AND CONTOURS.
16. FIELD VERIFY EXISTING CONDITIONS AND CORRELATE WITH REQUIREMENTS INDICATED ON DEMOLITION PLAN TO DETERMINE EXTENT OF SELECTIVE DEMOLITION REQUIRED.
17. CONDUCT DEMOLITION OPERATIONS AND REMOVE DEBRIS TO ENSURE MINIMUM INTERFERENCE WITH SELECTIVE DEMOLITION OPERATIONS.
18. CONDUCT DEMOLITION OPERATIONS TO PREVENT INJURY TO PEOPLE AND DAMAGE TO ADJACENT BUILDINGS AND FACILITIES TO REMAIN. ENSURE SAFE PASSAGE OF PEOPLE AROUND SELECTIVE DEMOLITION AREA.
19. USE WATER MIST, TEMPORARY ENCLOSURES AND OTHER SUITABLE METHODS TO LIMIT THE SPREAD OF DUST AND DIRT. COMPLY WITH GOVERNING ENVIRONMENTAL PROTECTION REGULATIONS. DO NOT USE WATER WHEN IT MAY DAMAGE EXISTING CONSTRUCTION, SUCH AS CAUSING ICING, FLOODING, AND TRANSPORTING POLLUTANTS.
20. REMOVE AND TRANSPORT DEBRIS IN A MANNER THAT WILL PREVENT SPILLAGE ON ADJACENT SURFACES AND AREAS.
21. CLEAN ADJACENT STRUCTURES AND IMPROVEMENTS OF DUST, DIRT AND DEBRIS CAUSED BY SELECTIVE DEMOLITION OPERATIONS. RETURN ADJACENT AREAS TO CONDITION EXISTING BEFORE START OF SELECTIVE DEMOLITION.
22. PROMPTLY DISPOSE OF DEMOLISHED MATERIALS. ALL DEBRIS RESULTING FROM DEMOLITION ACTIVITIES SHALL BE DISPOSED OF OFF-SITE AT A FACILITY APPROVED TO RECEIVE THE DEBRIS. DO NOT ALLOW DEMOLISHED MATERIALS TO ACCUMULATE ON-SITE. DO NOT BURN DEMOLISHED MATERIALS ON-SITE.

GENERAL CONSTRUCTION:

- 1. THE CONTRACTOR SHALL PROTECT EXISTING PROPERTY LINE MONUMENTATION, ANY MONUMENTATION DISTURBED OR DESTROYED, AS JUDGED BY THE ENGINEER OR OWNER, SHALL BE REPLACED AT THE CONTRACTOR'S EXPENSE AND UNDER THE SUPERVISION OF A NEW YORK STATE LICENSED LAND SURVEYOR.
2. ALL PAVEMENT RESTORATION SHALL MEET AND MATCH EXISTING GRADES.
3. ALL SAWCUT LINES SHALL BE PARALLEL AND CURVILINEAR TO EXISTING OR PROPOSED CURBING AND SHALL BE A CONSTANT DISTANCE OF 18" MIN AWAY.
4. ALL ARCHITECTURE IS SUBJECT TO PLANNING BOARD REVIEW.
5. NOTIFY ENGINEER 48 HOURS PRIOR TO INITIALIZATION OF ANY WORK ON SITE.
6. THE ENGINEER SHALL BE NOTIFIED IN WRITING OF ANY CONDITIONS THAT VARY FROM THOSE SHOWN ON THE PLANS. THE CONTRACTOR'S WORK SHALL NOT VARY FROM THE PLANS WITHOUT PRIOR REVIEW FROM THE ENGINEER.
7. CONTRACTOR IS RESPONSIBLE FOR EMPLOYING AND MAINTAINING ALL TRAFFIC CONTROL AND SAFETY MEASURES DURING CONSTRUCTION.
8. CONTRACTOR IS RESPONSIBLE FOR PROPERLY & SAFELY MAINTAINING AREA BETWEEN ALL ADJOINING PROPERTIES.
9. NO WORK, STORAGE OR TRESPASS SHALL BE PERMITTED BEYOND THE SITE PROPERTY LINES OR PUBLIC RIGHT-OF-WAY.
10. ALL EXISTING LAWN AREA, CURBING, PAVING, SIDEWALKS, CULVERTS OR OTHER PUBLIC OR PRIVATE PROPERTY DAMAGED BY TRENCHING OR EXCAVATION OPERATIONS SHALL BE REPLACED OR REPAIRED TO A CONDITION EQUAL TO EXISTING, AS DESCRIBED IN CONTRACT DOCUMENTS OR AS ORDERED BY ENGINEER (AOBE). MAILBOXES, SIGN POSTS, ETC. SHALL BE PROTECTED OR REMOVED AND REPLACED EXACTLY AS THEY WERE BEFORE BEING DISTURBED. REMOVE AND REPLACE AFFECTED CURBING AND SIDEWALK TO NEAREST JOINT. REMOVE PAVEMENT AND REPLACE TO SAW CUT LINE. SAW CUT IN STRAIGHT LINE TO POINT NEEDED TO BLEND GRADE, REMOVE LAWN AND REPLACE TO MINIMUM LIMIT OF EXCAVATION.
11. NO SITE PREPARATION OR CONSTRUCTION SHALL COMMENCE UNTIL ALL REQUIRED PERMITTING AND APPROVALS HAVE BEEN OBTAINED.
12. MATERIALS, WORKMANSHIP, AND CONSTRUCTION FOR THE SITE IMPROVEMENTS SHOWN HEREON SHALL BE IN ACCORDANCE WITH:
A. NEW YORK STATE DEPARTMENT OF TRANSPORTATION " STANDARD SPECIFICATIONS", 2008, AS SUPPLEMENTED.
B. CURRENT PREVAILING MUNICIPAL, COUNTY, AND/OR STATE AGENCY SPECIFICATIONS, STANDARDS, CONDITIONS, AND REQUIREMENTS.
C. CURRENT PREVAILING UTILITY COMPANY/AUTHORITY SPECIFICATIONS, STANDARDS, AND REQUIREMENTS.
D. CURRENT MANUFACTURER SPECIFICATIONS, STANDARDS, AND REQUIREMENTS.

PAVING:

- 1. NO VEHICULAR TRAFFIC OF ANY SORT SHALL BE PERMITTED ON THE SURFACE OF SUBBASE COURSE MATERIAL ONCE IT HAS BEEN FINELY GRADED, COMPACTED, AND READY FOR PAVING. SUBBASE MATERIAL SO PREPARED FOR PAVING SHALL BE PAVED WITHIN THREE DAYS OF PREPARATION.
2. SUBBASE MATERIAL AND THE VARIOUS ASPHALT CONCRETE MATERIALS CALLED FOR IN THESE DRAWINGS SHALL CONFORM WITH THE REFERENCED SECTION OF THE NEW YORK STATE DEPARTMENT OF TRANSPORTATION STANDARD SPECIFICATIONS FOR CONSTRUCTION AND MATERIALS, DATED MAY 1, 2008. CONSTRUCTION SHALL BE AS FURTHER SET FORTH IN THOSE SPECIFICATIONS AND AS OTHERWISE PROVIDED FOR IN THESE DRAWINGS.
3. PLACE ASPHALT CONCRETE MIXTURE ON PREPARED SURFACE, SPREAD AND STRIKE-OFF USING A SELF-PROPELLED PAVING MACHINE WITH VIBRATING SCREED. PLACEMENT IN INACCESSIBLE AND SMALL AREAS MAY BE BY HAND.
4. PROVIDE JOINTS BETWEEN OLD AND NEW PAVEMENT OR BETWEEN SUCCESSIVE DAYS WORK.
5. TACK COAT MEANS SPECIFIED OR CALLED OUT ON THE DRAWINGS OR REQUIRED BY THE REFERENCED SPECIFICATION SHALL CONFORM WITH THE FOLLOWING:
A. TACK COAT SHALL MEET THE MATERIAL REQUIREMENTS OF 702-90 ASPHALT EMULSION SPECIFICATIONS FOR CONSTRUCTION AND MATERIALS, DATED MAY 1, 2008, SHALL BE APPLIED IN ACCORDANCE WITH SECTION 407 - TACK COAT SHALL BE IN ACCORDANCE WITH THOSE SPECIFICATIONS AND AS OTHERWISE PROVIDED FOR IN THESE DRAWINGS.
B. REMOVE LOOSE AND FOREIGN MATERIAL FROM ASPHALT SURFACE BEFORE PAVING NEXT COURSE. USE POWER BROOMS, BLOWERS OR HAND BROOM.
C. APPLY TACK COAT TO ASPHALT PAVEMENT SURFACES & SURFACES OF CURBS, GUTTERS, MANHOLES, AND OTHER STRUCTURES PROJECTING INTO OR ABUTTING PAVEMENT. DRY TO A "TACKY" CONSISTENCY BEFORE PAVING.
D. TACK COAT ENTIRE VERTICAL SURFACE OF ABUTTING EXISTING PAVEMENT.
6. AFTER COMPLETION OF PAVING AND SURFACING OPERATIONS, CLEAN SURFACES OF EXCESS OR SPILLED ASPHALT, GRAVEL OR STONE MATERIALS TO THE SATISFACTION OF THE ENGINEER.
7. ALL CURBING SHALL BE CONCRETE.

STRIPING:

- 1. STRIPE PAVEMENT AS INDICATED ON THE PLANS AND/OR IN ACCORDANCE WITH ALL APPLICABLE LOCAL, STATE AND FEDERAL REQUIREMENTS.
2. COLOR: DRIVE LANE DIVIDERS-WHITE OR AOBE NO PARKING ZONE WARNINGS-WHITE OR AOBE. PARKING DIVIDERS-WHITE OR AOBE. WALKING LINES-WHITE OR AOBE. HANDICAP PARKING LINES & SYMBOL-BLUE.

SITE PLAN MAP NOTES:

- 1. NO BUILDING PERMIT FOR A BUILDING SUBJECT TO SITE PLAN APPROVAL SHALL BE ISSUED BY THE BUILDING INSPECTOR EXCEPT UPON AUTHORIZATION OF AND IN CONFORMITY WITH THE SITE PLAN APPROVED BY THE PLANNING BOARD.
2. ALL TRAFFIC CONTROL DEVICES SHALL BE IN ACCORDANCE WITH THE NEW YORK STATE MANUAL OF UNIFORM TRAFFIC CONTROL DEVICES.

UTILITY PLAN NOTES:

- 1. ALL UNDERGROUND UTILITIES ARE SHOWN IN THEIR RELATIVE POSITION AND ARE FOR INFORMATIONAL PURPOSES ONLY. CONTRACTOR TO VERIFY THEIR ACTUAL LOCATION IN THE FIELD PRIOR TO THE COMMENCEMENT OF CONSTRUCTION.
2. ANY CONDITION ENCOUNTERED IN THE FIELD DIFFERING FROM THOSE SHOWN HEREON, SHALL BE REPORTED TO THE DESIGN ENGINEER BEFORE CONSTRUCTION IS TO PROCEED.
3. ALL GRAVITY SANITARY SEWER SHALL BE SDR 35 PVC, CONFORMING TO ASTM SPECIFICATION D-3034. MINIMUM PIPE STIFFNESS (F'Y) AT 5X DEFLECTION SHALL BE 46 PSI WHEN TESTED IN ACCORDANCE WITH ASTM SPECIFICATION D-2412. ALL JOINTS AND CONNECTIONS SHALL BE MADE WATERTIGHT.
4. CONTRACTOR TO VERIFY STATUS OF ALL UTILITY SERVICES PRIOR TO INTERRUPTION.
5. EXPLORATORY EXCAVATIONS SHALL BE PERFORMED BY THE CONTRACTOR AT ALL UTILITY CONNECTION LOCATIONS AND AS NEEDED TO VERIFY EXISTING CONDITIONS PRIOR TO PERFORMING WORK.
6. BEFORE CONSTRUCTING LINES TO CONNECT TO EXISTING UTILITIES, VERIFY EXISTING UTILITY INVERTS AND NOTIFY THE ENGINEER IF ANY VARIATION FROM THE PLAN IS REQUIRED.
7. THE CONTRACTOR SHALL MAINTAIN ALL EXISTING UTILITIES IN SERVICE FOR THE DURATION OF THE WORK.
8. THE CONTRACTOR SHALL COMPLY WITH ALL REQUIRED PERMITS AND ASSOCIATED CONDITIONS.
9. CONTRACTOR SHALL BE RESPONSIBLE FOR DOWATERING UTILITY TRENCHES AND EXCAVATIONS AND FOR THE MAINTENANCE OF SURFACE DRAINAGE DURING THE COURSE OF THE WORK.
10. ALL PROPOSED UTILITIES SHALL TERMINATE 5 FEET FROM ANY PROPOSED BUILDING FACE. CONTRACTOR TO COORDINATE WITH BUILDING PLANS FOR ANY CONNECTIONS.
11. A NEW YORK STATE LICENSED PROFESSIONAL ENGINEER SHALL INSPECT THE SANITARY FACILITIES (WATER DISTRIBUTION, ANY WATER TREATMENT, AND SEWAGE FACILITIES) AT THE TIME OF CONSTRUCTION. PRIOR TO OCCUPANCY OF THE DWELLING(S), THE ENGINEER SHALL CERTIFY TO THE LOCAL CODE ENFORCEMENT OFFICER THAT THE FACILITIES HAVE BEEN INSTALLED IN ACCORDANCE WITH THE APPROVED PLANS.
12. TELEPHONE, ELECTRIC, AND GAS LINES SHALL BE INSTALLED UNDERGROUND, CROSSINGS OF PROPOSED PAVEMENTS SHALL BE INSTALLED PRIOR TO THE CONSTRUCTION OF PAVEMENT TOP COURSE.

GENERAL NOTES:

- 1. UNDERGROUND FACILITIES AND STRUCTURES SHOWN HEREON WERE TAKEN FROM DATA OBTAINED FROM PREVIOUS MAPS AND RECORD DRAWINGS, ALL ABOVE GROUND STRUCTURES AND SURFACE FEATURES SHOWN HEREON ARE THE RESULT OF A FIELD SURVEY UNLESS OTHERWISE NOTED. THERE MAY BE OTHER UNDERGROUND UTILITIES, THE EXISTENCE OF WHICH ARE NOT KNOWN OR CERTIFIED BY THE UNDERSIGNED. SIZE AND LOCATION OF ALL UNDERGROUND UTILITIES AND STRUCTURES MUST BE VERIFIED BY THE APPROPRIATE AUTHORITIES. THE UNDERGROUND FACILITIES PROTECTIVE ORGANIZATION MUST BE NOTIFIED PRIOR TO CONDUCTING TEST BORINGS, EXCAVATION AND CONSTRUCTION.
2. THE UNDERGROUND UTILITIES SHOWN HAVE BEEN LOCATED FROM FIELD SURVEY INFORMATION AND EXISTING DRAWINGS. THE SURVEYOR MAKES NO GUARANTEES THAT THE UNDERGROUND UTILITIES SHOWN COMPRISE ALL SUCH UTILITIES IN THE AREA. EITHER IN SERVICE OR ABANDONED. THE SURVEYOR FURTHER DOES NOT WARRANT THAT THE UNDERGROUND UTILITIES SHOWN ARE IN THE EXACT LOCATION INDICATED ALTHOUGH THE SURVEYOR DOES CERTIFY THAT THEY ARE LOCATED AS ACCURATELY AS POSSIBLE FROM INFORMATION AVAILABLE. THE SURVEYOR HAS NOT PHYSICALLY LOCATED THE UNDERGROUND UTILITIES.
3. CONTRACTOR SHALL FIELD VERIFY EXISTING GRADES, EXISTING STRUCTURE LOCATIONS AND OTHER EXISTING CONDITIONS PRIOR TO CONSTRUCTION AND SHALL REPORT ANY DISCREPANCIES TO THE OWNER'S REPRESENTATIVE FOR FURTHER RESOLUTION. SUCH CONDITIONS COULD RENDER THE DESIGNS HEREON INAPPROPRIATE OR INEFFECTIVE.
4. THE CONTRACTOR'S ATTENTION IS DIRECTED TO THE FACT THAT OTHER CONTRACTORS MAY BE WORKING IN THE AREA ON OTHER CONSTRUCTION AT THE SAME TIME THAT WORK IS PERFORMED UNDER THIS CONTRACT. THE CONTRACTOR SHALL BE AWARE OF THE NATURE AND EXTENT OF THIS OTHER WORK AND SHALL SCHEDULE AND CONDUCT HIS OWN OPERATION SO THAT THERE WILL BE NO CONFLICT IN OPERATIONS.
5. SINCE THIS PROJECT INVOLVES CONSTRUCTION WITHIN AN ACTIVE ROADWAY, IT IS IMPERATIVE THAT THE CONSTRUCTION BE CARRIED FORTH IN SUCH A MANNER AS TO INSURE THAT PROPER TRAFFIC FLOW IS MAINTAINED DURING CONSTRUCTION. THE CONTRACTOR SHALL PROVIDE MAINTENANCE AND PROTECTION OF TRAFFIC IN ACCORDANCE WITH THE MANUAL OF UNIFORM TRAFFIC CONTROL DEVICES (MUTCD) AND STANDARD SPECIFICATIONS.
6. THE CONTRACTOR SHALL VERIFY ALL FIELD CONDITIONS AND DIMENSIONS AND SHALL BE RESPONSIBLE FOR FIELD FIT FINISH AND QUALITY OF WORK AND MATERIALS USED IN THE CONSTRUCTION. NO ALLOWANCE SHALL BE MADE ON BEHALF OF THE CONTRACTOR FOR ANY ERROR OR NEGLIGENCE ON HIS PART.
7. THE CONTRACTOR IS RESPONSIBLE FOR THE REPLACEMENT AND RESTORATION OF ALL NATURAL AND MANMADE FEATURES WHETHER SHOWN ON THE PLANS OR ENCOUNTERED IN THE FIELD. IT IS THE INTENTION OF THE PLANS TO SHOW ONLY MAJOR FEATURES TO BE PROTECTED, RESTORED OR REPLACED.
8. PROTECTION AND RESTORATION OF PROPERTY SHALL BE IN ACCORDANCE WITH THE NYS DOT STANDARD SPECIFICATIONS.
9. TOPSOIL SHALL BE PLACED AND AREAS SHALL BE SEEDDED AS SOON AS FINAL GRADES ARE ESTABLISHED ON PERMANENT SLOPES. SLOPES SHALL ALSO BE MULCHED.
10. THE CONTRACTOR SHALL CONTACT ALL THE APPROPRIATE PARTIES WITH JURISDICTION OVER THE UTILITIES ENTERING ON OR NEAR THE PROJECT AREA PRIOR TO INITIATION OF CONSTRUCTION OPERATIONS AND PROVIDE THOSE AGENCIES 72 HOURS NOTICE.
11. THE CONTRACTOR SHALL VERIFY THE LOCATION OF AND SHALL BE RESPONSIBLE FOR THE PRESERVATION OF ALL PUBLIC AND PRIVATE UNDERGROUND AND SURFACE UTILITIES AND STRUCTURES AT OR ADJACENT TO THE SITE OF CONSTRUCTION. IN SO FAR AS THEY MAY BE ENDANGERED BY HIS OPERATIONS, THIS SHALL HOLD TRUE WHETHER OR NOT THEY ARE SHOWN ON THE CONTRACT DRAWINGS. IF THEY ARE SHOWN ON THE DRAWINGS, THEIR LOCATIONS ARE NOT GUARANTEED EVEN THOUGH THE INFORMATION WAS OBTAINED FROM THE BEST AVAILABLE SOURCES, AND IN ANY EVENT, OTHER UTILITIES NOT SHOWN ON THESE PLANS MAY BE ENCOUNTERED IN THE FIELD. THE CONTRACTOR SHALL, AT HIS OWN EXPENSE, REPAIR OR REPLACE ANY STRUCTURES OR UTILITIES THAT HE DAMAGES, AND SHALL CONSTANTLY PROCEED WITH CAUTION TO PREVENT UNDUE INTERRUPTION TO UTILITY SERVICES.
12. IF TEMPORARY UTILITY SERVICES ARE REQUIRED, THE CONTRACTOR SHALL SEE TO IT THAT THEY ARE PROVIDED, AT NO ADDITIONAL COST TO THE OWNER, AND IT SHALL BE HIS RESPONSIBILITY TO MAINTAIN SUCH TEMPORARY FACILITIES FOR THE DURATION OF THE PROJECT AS NECESSARY.
13. ALL EPOXY PAVEMENT MARKINGS AND ALL SIGNS SHALL BE IN CONFORMANCE WITH THE NYS DOT MUTCD.
14. ALL SIGNING WILL BE IN ACCORDANCE WITH THE NATIONAL MANUAL OF UNIFORM TRAFFIC CONTROL DEVICES WITH NYS SUPPLEMENT, MOST RECENT VERSION.
15. PRIOR TO LEAVING THE WORK SITE EACH DAY, THE CONTRACTOR SHALL REMOVE OR PROTECT ANY PART OF THE WORK SITE THAT IS CONSIDERED HAZARDOUS TO THE TRAVELING PUBLIC, BY THE VILLAGE ENGINEER OR POLICE DEPARTMENT.
16. DURING ALL CONSTRUCTION OPERATIONS THE CONTRACTOR SHALL MAINTAIN ACCESS TO EACH ADJACENT SITE. IF CONDITIONS REQUIRE THAT ACCESS BE TEMPORARILY CLOSED, THE CONTRACTOR SHALL NOTIFY THE OWNER AT LEAST 24 HOURS IN ADVANCE. ALL ACCESS DRIVES WILL BE OPEN FOR SAFE USE AT THE END OF EACH WORK DAY.
17. AREAS DISTURBED NOT RECEIVING PAVEMENT OR CONCRETE SHALL BE TOPSOILED, SEEDDED, AND MULCHED IN ACCORDANCE WITH SPECIFICATIONS ON ATTACHED SHEETS.
18. THE CONTRACTOR IS RESPONSIBLE FOR PROJECT SAFETY, INCLUDING PROVISION OF ALL APPROPRIATE SAFETY DEVICES AND TRAINING REQUIRED.
19. ARDEN CONSULTING ENGINEERS, PLLC WILL REVIEW AND APPROVE OR TAKE OTHER APPROPRIATE ACTION ON THE CONTRACTOR SUBMITTALS, SUCH AS SHOP DRAWING, PRODUCT DATA, SAMPLES, AND OTHER DATA, WHICH THE CONTRACTOR IS REQUIRED TO SUBMIT, BUT ONLY FOR THE LIMITED PURPOSE OF CHECKING FOR CONFORMANCE WITH THE DESIGN INTENT AND THE INFORMATION SHOWN IN THE CONSTRUCTION CONTRACT DOCUMENTS. CONSTRUCTION MEANS AND/OR METHODS, COORDINATION OF THE WORK WITH OTHER TRADES, AND CONSTRUCTION SAFETY PRECAUTIONS ARE THE SOLE RESPONSIBILITY OF THE CONTRACTOR. ARDEN CONSULTING ENGINEERS, PLLC SHOP DRAWING REVIEW SHALL BE CONDUCTED WITH REASONABLE PROMPTNESS WHILE ALLOWING SUFFICIENT TIME TO PERMIT ADEQUATE REVIEW. REVIEW OF A SPECIFIC ITEM SHALL NOT INDICATE THAT ARDEN CONSULTING ENGINEERS, PLLC HAS REVIEWED THE ENTIRE ASSEMBLY OF WHICH THE ITEM IS A COMPONENT. ARDEN CONSULTING ENGINEERS, PLLC WILL NOT BE RESPONSIBLE FOR ANY DEVIATIONS FROM THE CONSTRUCTION DOCUMENTS NOT BROUGHT TO HIS ATTENTION, IN WRITING, BY THE CONTRACTOR. ARDEN CONSULTING ENGINEERS, PLLC WILL NOT BE REQUIRED TO REVIEW PARTIAL SUBMISSIONS OF CORRELATED ITEMS NOT RECEIVED.
20. NEITHER THE PROFESSIONAL ACTIVITIES OF ARDEN CONSULTING ENGINEERS, PLLC, NOR THE PRESENCE OF ARDEN CONSULTING ENGINEERS, PLLC OR ITS EMPLOYEES AND SUB-CONSULTANTS AT A CONSTRUCTION/PROJECT SITE, SHALL RELIEVE THE GENERAL CONTRACTOR OF HIS OBLIGATIONS, DUTIES AND RESPONSIBILITIES INCLUDING, BUT NOT LIMITED TO, CONSTRUCTION MEANS, METHODS, SEQUENCE, TECHNIQUES OR PROCEDURES NECESSARY FOR PERFORMING, SUPERINTENDING AND COORDINATING THE WORK IN ACCORDANCE WITH THE CONTRACT DOCUMENTS AND ANY HEALTH AND SAFETY PRECAUTIONS REQUIRED BY ANY REGULATORY AGENCIES. ARDEN CONSULTING ENGINEERS, PLLC AND ITS PERSONNEL HAVE NO AUTHORITY TO EXERCISE ANY CONTROL OVER ANY CONSTRUCTION CONTRACTOR OR ITS EMPLOYEES IN CONNECTION WITH THEIR WORK OR ANY HEALTH OR SAFETY PROGRAMS OR PROCEDURES. THE GENERAL CONTRACTOR SHALL BE SOLELY RESPONSIBLE FOR JOB SITE SAFETY. ARDEN CONSULTING ENGINEERS, PLLC SHALL BE INDEMNIFIED BY THE GENERAL CONTRACTOR AND SHALL BE NAMED AN ADDITIONAL INSURED UNDER THE GENERAL CONTRACTOR'S POLICIES OF GENERAL LIABILITY INSURANCE.
21. IF THE CONTRACTOR DEVIATES FROM THE PLANS AND SPECIFICATIONS, INCLUDING THE NOTES CONTAINED HEREIN, WITHOUT FIRST OBTAINING THE PRIOR WRITTEN AUTHORIZATION OF THE DESIGN ENGINEER AND MUNICIPAL BUILDING DEPARTMENT AND/OR MUNICIPAL ENGINEER FOR SUCH DEVIATIONS, CONTRACTOR SHALL BE SOLELY RESPONSIBLE FOR THE PAYMENT OF ALL COSTS INCURRED IN CORRECTING ANY WORK DONE WHICH DEVIATES FROM THE PLANS AND/OR PERMITS. PERMITS SHALL BE OBTAINED WITH RESPECT TO HETERO AND ALL COMPENSATORY OR PUNITIVE DAMAGES RESULTING THEREFROM. THE CONTRACTOR SHALL INDEMNIFY AND HOLD THE OWNER, ENGINEER, AND MUNICIPALITY HARMLESS FROM ALL SUCH COSTS RELATED TO SAME.
22. THESE NOTES SHALL APPLY TO ALL SHEETS IN THIS SET.

LAYOUT:

- 1. THE CONTRACTOR SHALL BE RESPONSIBLE FOR COORDINATING ALL FIELD LAYOUT. THE CONTRACTOR SHALL TAKE TIES TO ALL UTILITY CONNECTIONS AND PROVIDE MARKED-UP AS BUILT PLANS FOR ALL UTILITIES SHOWING TIES TO CONNECTIONS, BENDS, VALVES, LENGTHS OF LINES AND INVERTS. AS-BUILT PLANS SHALL BE REVIEWED BY THE OWNER AND THE ENGINEER AND THE CONTRACTOR SHALL PROVIDE ANY CORRECTION OR ADDITIONS TO THE SATISFACTION OF THE OWNER OR THE ENGINEER BEFORE UTILITIES WILL BE ACCEPTED.
2. THE CONTRACTOR SHALL PROTECT EXISTING PROPERTY MONUMENTATION, ANY MONUMENTATION DISTURBED OR DESTROYED, AS JUDGED BY THE ENGINEER OR OWNER, SHALL BE REPLACED AT THE CONTRACTOR'S EXPENSE AND UNDER THE SUPERVISION OF A NEW YORK STATE LICENSED LAND SURVEYOR.
3. THE ENGINEER SHALL BE NOTIFIED IN WRITING OF ANY CONDITIONS THAT VARY FROM THOSE SHOWN ON THE PLANS. THE CONTRACTOR'S WORK SHALL NOT VARY FROM THE PLANS WITHOUT PRIOR REVIEW BY THE ENGINEER.
4. BUILDING DIMENSIONS TO BE TAKEN FROM ARCHITECTURAL BUILDING PLANS. NOTIFY THE ENGINEER OF ANY DEVIATION FROM CONDITIONS SHOWN ON THIS PLAN.
5. ALL HORIZONTAL AND VERTICAL CONTROL DATA ON THE PROJECT SHALL BE PROVIDED BY A LICENSED SURVEYOR.

TRENCHING & INSTALLATION NOTES:

- 1. ALL AREAS DISTURBED DURING TRENCHING AND WORK OPERATIONS MUST BE STABILIZED WITHIN 14 DAYS.
2. ALL TRENCHING IN PAVEMENT SHOULD BE SAW-CUT PRIOR TO TRENCHING. PAVEMENT RESTORATIONS MAY REQUIRE ADDITIONAL CUTBACKS AFTER TRENCHING OPERATIONS HAVE BEEN COMPLETED.
3. ALL PAVED AREAS MUST BE RESTORED WITH A MINIMUM OF 4" TEMPORARY PAVING AT THE CLOSE OF EACH DAY'S WORK OPERATIONS.
4. PERMANENT PAVING MUST BE COMPLETED AT AMBIENT TEMPERATURES OF 40 DEGREES AND RISING. ANY PAVING OPERATIONS COMPLETED BELOW 40 DEGREES SHALL BE CONSIDERED TEMPORARY.
5. ALL SIGNS REMOVED FOR CONSTRUCTION MUST BE RESET USING TYPE A POSTS.

ROCK REMOVAL NOTES:

- 1. ALL RECOMMENDED SAFETY REQUIREMENTS AND STANDARDS REFERENCED AND ANY LOCAL RESTRICTIONS SHALL BE APPLIED AS REQUIRED FOR SAFETY, SECURITY, AND SPECIFICALLY RELATED DETAILS FOR BLASTING PROCEDURES, AT ALL TIMES. FEDERAL, STATE, AND LOCAL LAWS AND ORDINANCES WILL BE FOLLOWED CONCERNING THE TRANSPORTATION AND STORAGE OF EXPLOSIVES.
2. A MINIMUM OF FOUR (4) WEEKS PRIOR TO COMMENCEMENT OF THE INITIAL BLASTING OPERATIONS, THE CONTRACTOR SHALL NOTIFY THE FOLLOWING AGENCIES AS APPROPRIATE: POLICE AGENCIES, GAS AND ELECTRIC SERVICE COMPANIES, TELEPHONE AND CABLE OPERATING COMPANIES, TOWN WATER AND SEWER DEPARTMENTS, NYS DOT, AND LOCAL FIRE, RESCUE, AND AMBULANCE SERVICES.
3. THE CONTRACTOR SHALL BE RESPONSIBLE FOR DAMAGE RESULTING FROM THE USE OF EXPLOSIVES. EXPLOSIVES SHALL BE STORED IN A SECURE MANNER IN COMPLIANCE WITH FEDERAL, STATE, AND LOCAL LAWS AND ORDINANCES.
4. THE CONTRACTOR SHALL NOTIFY EACH PROPERTY AND UTILITY OWNER HAVING A BUILDING, STRUCTURE, OR OTHER INSTALLATION ABOVE OR BELOW GROUND IN PROXIMITY TO THE SITE OF THE WORK OF HIS INTENTION TO USE EXPLOSIVES. NOTICE SHALL BE GIVEN SUFFICIENTLY IN ADVANCE TO ENABLE THE OWNERS TO TAKE STEPS TO PROTECT THEIR PROPERTY. NOTICE SHALL NOT RELIEVE THE CONTRACTOR OF RESPONSIBILITY FOR DAMAGE RESULTING FROM HIS BLASTING OPERATIONS.
5. THE CONTRACTOR SHALL SCHEDULE AND CONDUCT PRE-BLAST SURVEYS WITH PROPERTY OWNERS LOCATED IN THE AREA POTENTIALLY AFFECTED BY AIRBLAST OVERPRESSURE AND GROUND VIBRATION OR AS REQUIRED.
6. THE CONTRACTOR SHALL IMPLEMENT ENGINEERING MEASURES IN ORDER TO MINIMIZE THE POTENTIAL IMPACTS OF DUST, NOISE AND GROUND VIBRATION. BLAST VIBRATION CONTROL WILL BE ACHIEVED BY LIMITING THE CHARGE PER DELAY SO THAT THE PEAK PARTICLE VELOCITY REMAINS BELOW THE SPECIFIED LEVELS.
7. AN APPROPRIATELY QUALIFIED, LICENSED BLASTING SPECIALIST, WITH EXPERIENCE SHALL BE ONSITE AND SUPERVISE BLASTING OPERATIONS. AT ALL TIMES, THE BLASTING AREA SHALL BE RESTRICTED TO BLASTING OPERATIONS AND AUTHORIZED PERSONNEL ONLY.
8. PROTECTIVE MEASURES INCLUDING INSTALLATION OF SIGNAGE, NOTIFICATION OF NEARBY RESIDENTS, TRAFFIC CONTROL AS NECESSARY ALONG NEARBY ROADS, AUDIBLE PRE-BLAST WARNINGS, AND USE OF BLAST MATS SHALL BE IMPLEMENTED.
9. DELIVERY AND TRANSPORT OF EXPLOSIVES FROM THE POWDER MAGAZINES TO THE BLAST AREA WILL BE BY VEHICLES SPECIFICALLY DESIGNED FOR THIS USE BY THE CRITERIA OUTLINED IN THE SAFETY REQUIREMENTS. ONLY AUTHORIZED PERSONS WILL TRANSPORT AND HANDLE THE EXPLOSIVES AS DESIGNATED BY THE ISSUING AUTHORITY OF THOSE LICENSES FOR THIS PURPOSE.
10. MONITORING OF PEAK PARTICLE VELOCITY (INCHES/SECOND) AND PEAK AIRBLAST OVERPRESSURE (PSI) SHALL BE PERFORMED DURING ALL BLASTS.

SPECIAL NOTES:

- 1. MAINTENANCE AND PROTECTION OF TRAFFIC IS THE RESPONSIBILITY OF THE PERMITEE. ANY SUBCONTRACTORS WORKING FOR THE PERMITEE MUST HAVE A COPY OF THE HIGHWAY WORK PERMIT ON THE SITE AND MUST BE FAMILIAR WITH THE TRAFFIC CONTROL REQUIREMENTS. IT IS STRONGLY ADVISED THAT A "TALGATE" SAFETY MEETING WITH EACH WORK CREW BE INITIATED BEFORE THE START OF WORK.
2. TRAFFIC CONTROL SCHEMES MUST BE IN PLACE, AND MAINTAINED, THROUGHOUT THE DURATION OF WORK.
3. ALL MAINTENANCE AND PROTECTION OF TRAFFIC TO BE IN ACCORDANCE WITH THE NATIONAL MANUAL OF UNIFORM TRAFFIC CONTROL DEVICES AND THE NYS SUPPLEMENT.
4. ANYONE WORKING WITHIN THE HIGHWAY RIGHT-OF-WAY SHALL WEAR HIGH-VISIBILITY APPAREL MEETING THE ANSI 107-2004 CLASS II STANDARDS AND A HARD HAT.
5. AT THE START OF WORK ON THE PROJECT, ALL WORK ZONE TRAFFIC CONTROL DEVICES SHALL APPEAR IN "ACCEPTABLE" CONDITION. THESE DEVICES SHALL NOT BE ALLOWED TO FALL BELOW THE "MARGINAL" CONDITION AT ANY TIME DURING THE LIFE OF THE PROJECT. FADED AND DETERIORATED PANELS AND NON-STANDARD LEGENDS ARE NOT ACCEPTABLE.
6. FLAGGER SIGNS ARE TO BE USED ONLY WHEN A FLAGGER IS ACTUALLY PRESENT AND VISIBLE TO THE MOTORIST. THEY SHALL BE COVERED OR REMOVED AT ALL OTHER TIMES. STOP/SLOW PADDLES ARE REQUIRED.
7. NO LOW-MOUNTED SIGNS SHALL BE PERMITTED, EXCEPT FOR FLEXIBLE PANELS MEETING THE CURRENT SPECIFICATION REQUIREMENTS.

WINTER WORK:

SNOW PLOWING REQUIREMENTS:

- DUE TO POSSIBLE SNOW FALL AND HENCE SNOW PLOWING OPERATIONS, ANY STEEL PLATES USED TO COVER AN EXCAVATION SHALL BE:
1. RECESSED INTO THE PAVEMENT AND PINNED.
OR
2. PINNED WITH ASPHALT RAMPS PLACED ALONG ALL EDGES. RAMPS SHALL BE SLOPED AT 1 INCH RISE PER 6 FEET RUN MAXIMUM. "RAISE PLOW" SIGNS SUPPLEMENTED WITH TYPE A FLASHING LIGHTS MUST BE ERRECTED AN APPROPRIATE DISTANCE BEFORE THE EXCAVATION. SIGNS AND LIGHTS MUST MEET NYS DOT MUTCD SPECIFICATIONS.

WINTER TIME EARTHWORK REQUIREMENTS:

- ALL PERMIT WORK UNDER CONSTRUCTION BETWEEN THE DATES OF NOVEMBER 1 THROUGH MAY 1 SHALL CONFORM TO THE FOLLOWING REQUIREMENTS:
1. GRANULAR OR OTHER FROST SUSCEPTIBLE MATERIAL SHALL NOT BE PLACED WHEN THE TEMPERATURE IS BELOW 32 DEGREES FAHRENHEIT.
2. FROZEN MATERIAL SHALL NOT BE INCORPORATED INTO EMBANKMENTS OR BACKFILLS.
3. MATERIAL SHALL NOT BE PLACED ON FROZEN GROUND.
4. THE MATERIAL SHALL BE COMPACTED IN ACCORDANCE WITH HIGHWAY DESIGN MANUAL CHAPTER 13. APPENDIX 13C REQUIREMENTS FOR NEW DESIGN AND CONSTRUCTION OF UNDERGROUND UTILITY INSTALLATIONS WITHIN THE STATE HIGHWAY RIGHT-OF-WAY. LATEST REVISION AND/OR 004-015 (ENGINEERING INSTRUCTION).
5. ANY SPECIAL CONDITIONS AND RESTRICTIONS AS MAY BE IMPOSED BY THE DESIGN ENGINEER OR THE VILLAGE ENGINEER.

TREE CLEARING NOTE:

NO TREE REMOVAL SHALL BE REMOVED FROM APRIL 1st TO OCTOBER 31st TO MITIGATE POTENTIAL HARMFUL IMPACTS TO INDIANA BAT.

REV.	BY	DATE	DESCRIPTION
1	MM	11-05-24	REVISED BUILDING FOOTPRINT

THIS SHEET IS NOT VALID WITHOUT ALL OF THE SHEETS THAT COMPRISE THE SET

ARDEN CONSULTING ENGINEERS, PLLC
P.O. BOX 340 MONROE, N.Y.
TEL: (845) 782-8114
WWW.ARDENCONSULTING.NET

SITE PLAN PREPARED FOR
32 VIRGINIA
VILLAGE OF SOUTH BLOOMING GROVE
ORANGE COUNTY, NEW YORK

CONSTRUCTION SPECIFICATIONS

Jobs: 24-032
SCALE: AS NOTED
DATE: 08-26-24
DRAWN: MM
CHECKED: MM
SHEET NO. 11 of 11

MICHAEL A. MORGANTE, P.E.
Lic. No. 78577

WARNING- IT IS A VIOLATION OF NEW YORK EDUCATIONAL LAW, SECTION 7209.2, FOR ANY PERSON, UNLESS ACTING UNDER THE DIRECTION OF A LICENSED PROFESSIONAL ENGINEER OR LAND SURVEYOR, TO ALTER THIS DOCUMENT IN ANY WAY. IF ALTERED, THE ALTERING PERSON SHALL COMPLY WITH THE REQUIREMENTS OF NEW YORK EDUCATIONAL LAW, SECTION 7209.2.

